

Y-type stainless steel pipeline filter



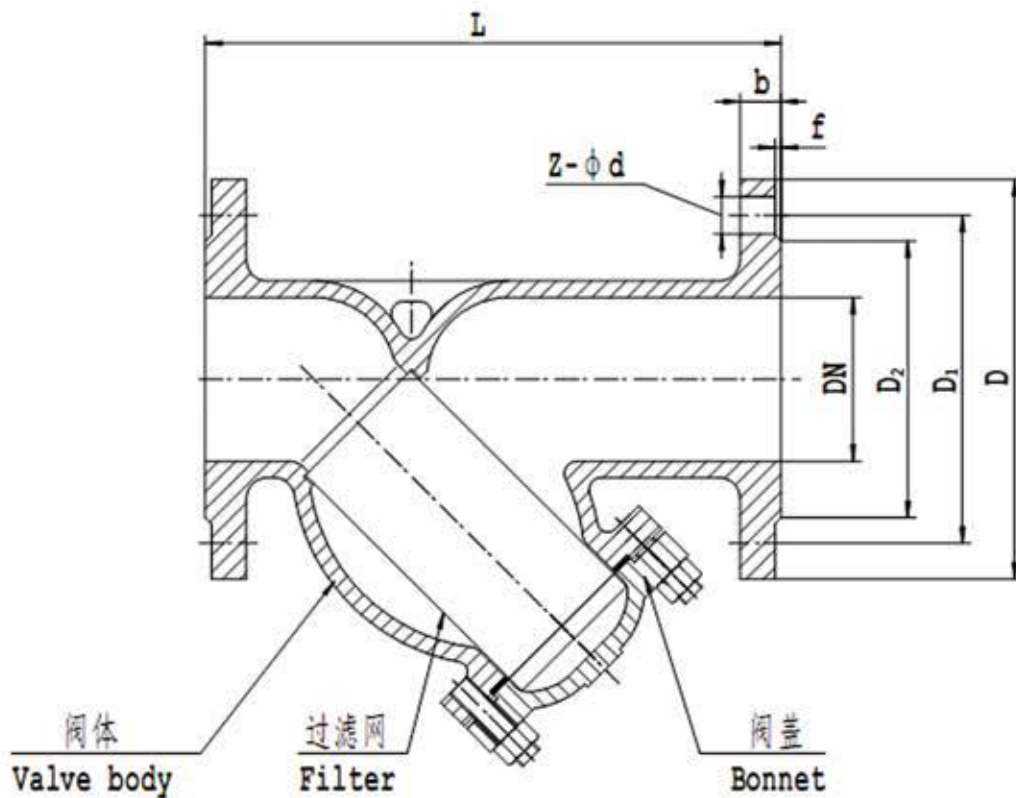
PRODUCT OVERVIEW

Body material:	CF8
Size range:	DN15 ~ 200
Pressure rating:	1.6 ~ 2.5MPa
Operating temperature:	-29 ~ 150°C
End connection:	Flanged
Applicable medium:	Water, Steam, Oil, Nitric acid liquid
Mode of operation:	/
Applicable industry:	Chemical & Petrochemical, Oil & Gas, Mining & Minerals, Power generation, Water & Water Treatment, Pulp & Paper, Municipal, Heating & Ventilation
Design & Manufacture:	API, ASME, ASTM, ANSI, BS, DIN, JIS, ISO, GB

VALVE MATERIAL LIST

Part name	Part material
Valve body, disc plate	CF8
Filter screen	304

TECHNICAL SPECIFICATIONS



Model	DN (mm)	Size(mm)					
		L	D	D ₁	D ₂	b-f	z-φ d
GL41W-16P	15	130	95	65	45	14-2	4-φ 14
	20	145	105	75	55	14-2	4-φ 14
	25	150	115	85	65	14-2	4-φ 14
	32	160	140	100	78	16-2	4-φ 18
	40	200	150	110	88	16-2	4-φ 18
	50	220	165	125	102	16-2	4-φ 18
	65	250	185	145	122	18-2	8-φ 18
	80	280	200	160	138	20-2	8-φ 18
	100	310	220	180	158	20-2	8-φ 18
	125	350	250	210	188	22-2	8-φ 18
	150	380	285	240	212	24-2	8-φ 23
200	500	340	295	268	26-2	12-φ 23	

Model	DN (mm)	Size(mm)					
		L	D	D ₁	D ₂	b-f	z-φ d
GL41W-25P	15	130	95	65	45	14-2	4-φ 14
	20	145	105	75	55	14-2	4-φ 14
	25	150	115	85	65	14-2	4-φ 14
	32	160	140	100	78	16-2	4-φ 18
	40	200	150	110	88	16-2	4-φ 18
	50	220	165	125	102	16-2	4-φ 18
	65	250	185	145	122	20-2	8-φ 18
	80	280	200	160	138	20-2	8-φ 18
	100	310	235	190	162	24-2	8-φ 23
	125	350	270	220	188	28-2	8-φ 25
	150	380	300	250	218	30-2	8-φ 25
200	500	360	310	278	34-2	12-φ 25	