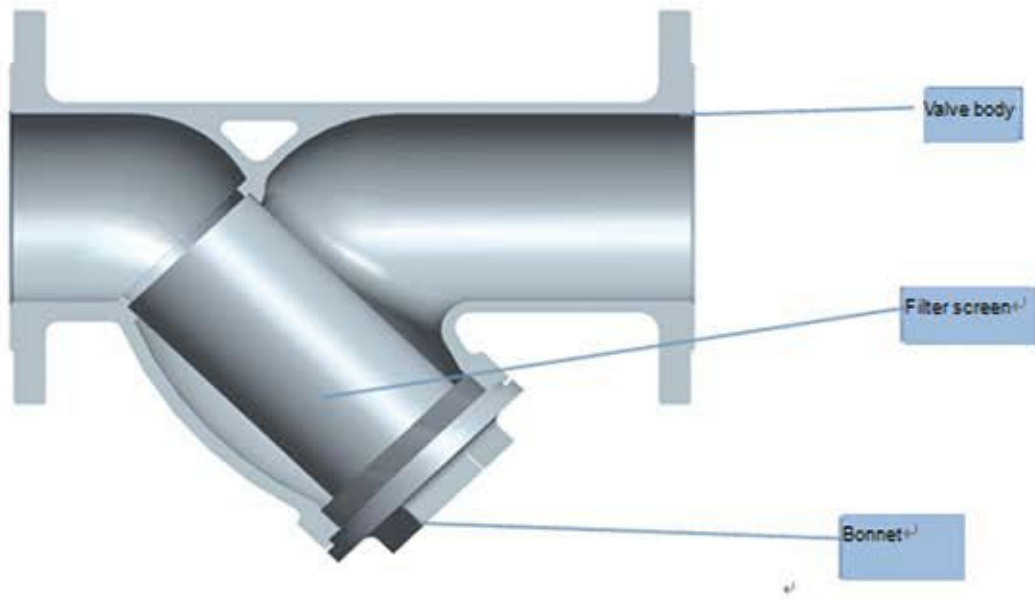


# Y-type cast steel pipeline filter



## PRODUCT OVERVIEW

Body material:	WCB
Size range:	DN15 ~ 500
Pressure rating:	1.6 ~ 2.5MPa
Operating temperature:	-29 ~ 425°C
End connection:	Flanged
Applicable medium:	Water, Steam, Oil
Mode of operation:	/
Applicable industry:	Chemical & Petrochemical, Oil & Gas, Mining & Minerals, Power generation, Water & Water Treatment, Pulp & Paper, Municipal, Heating & Ventilation
Design & Manufacture:	API, ASME, ASTM, ANSI, BS, DIN, JIS, ISO, GB

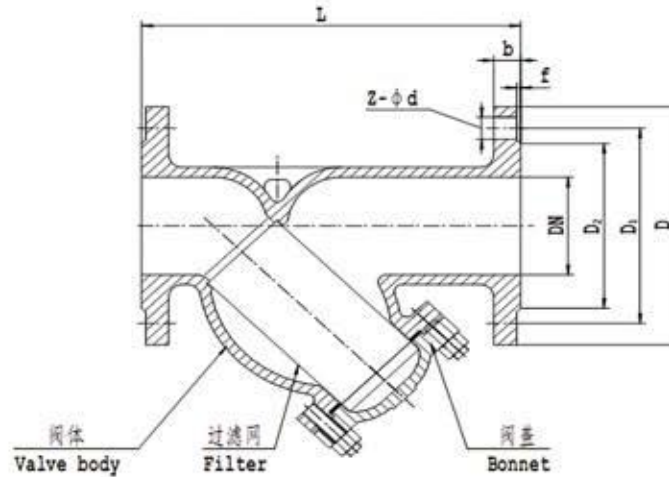


## VALVE MATERIAL LIST

Part name	Part material
Valve body, disc plate	WCB
Filter screen	304



## TECHNICAL SPECIFICATIONS



Model	DN (mm)	Size(mm)					
		L	D	D <sub>1</sub>	D <sub>2</sub>	b-f	z-φd
GL41H-16C	15	130	95	65	45	16-2	4-φ14
	20	145	105	75	55	18-2	4-φ14
	25	150	115	85	65	18-2	4-φ14
	32	160	140	100	78	18-2	4-φ18
	40	200	150	110	88	18-2	4-φ18
	50	220	165	125	102	18-2	4-φ18
	65	250	185	145	122	18-2	8-φ18
	80	280	200	160	138	20-2	8-φ18
	100	310	220	180	158	20-2	8-φ18
	125	350	250	210	188	22-2	8-φ18
	150	380	285	240	212	24-2	8-φ23
	200	500	340	295	268	24-2	12-φ23
	250	550	405	355	320	26-2	12-φ26
	300	670	460	410	378	28-2	12-φ26
	350	700	520	470	428	30-2	16-φ26
	400	800	580	525	490	32-2	16-φ30
450	825	640	585	550	40-2	20-φ30	
500	850	715	650	610	44-2	20-φ33	



Model	DN (mm)	Size(mm)					
		L	D	D <sub>1</sub>	D <sub>2</sub>	b-f	z-φd
GL41H- 25C	15	130	95	65	45	16-2	4-φ14
	20	145	105	75	58	18-2	4-φ14
	25	160	115	85	68	18-2	4-φ14
	32	180	140	100	78	18-2	4-φ18
	40	180	150	110	88	18-2	4-φ18
	50	200	165	125	102	20-2	4-φ18
	65	220	185	145	122	22-2	8-φ18
	80	250	200	160	138	24-2	8-φ18
	100	280	235	190	162	24-2	8-φ23
	125	310	270	220	188	26-2	8-φ26
	150	350	300	250	218	28-2	8-φ26
	200	380	360	310	278	30-2	12-φ26
	250	500	425	370	335	32-2	12-φ30
	300	550	485	430	395	34-2	16-φ30
	350	670	555	490	450	38-2	16-φ33
	400	700	620	550	505	40-2	16-φ36
	450	800	670	600	555	46-2	20-φ36
500	825	730	660	615	48-2	20-φ36	