

# Worm gear stainless steel floating ball valve

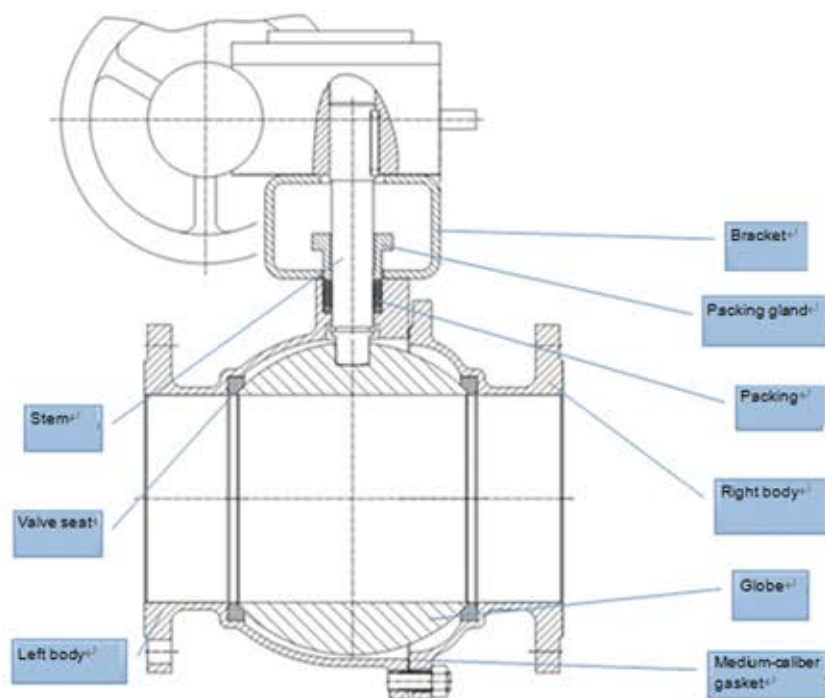


## PRODUCT OVERVIEW

Body material:	CF8
Size range:	DN80~200
Pressure rating:	1.6MPa
Operating temperature:	-29 ~ 150°C
End connection:	Flanged
Applicable medium:	Water, steam, Oil, Nitric acid liquid
Mode of operation:	Manual
Applicable industry:	Chemical & Petrochemical, Oil & Gas, Mining & Minerals, Power generation, Water & Water Treatment, Pulp & Paper, Municipal, Heating & Ventilation
Design & Manufacture:	API, ASME, ASTM, ANSI, BS, DIN, JIS, ISO, GB

## DESIGN FEATURES

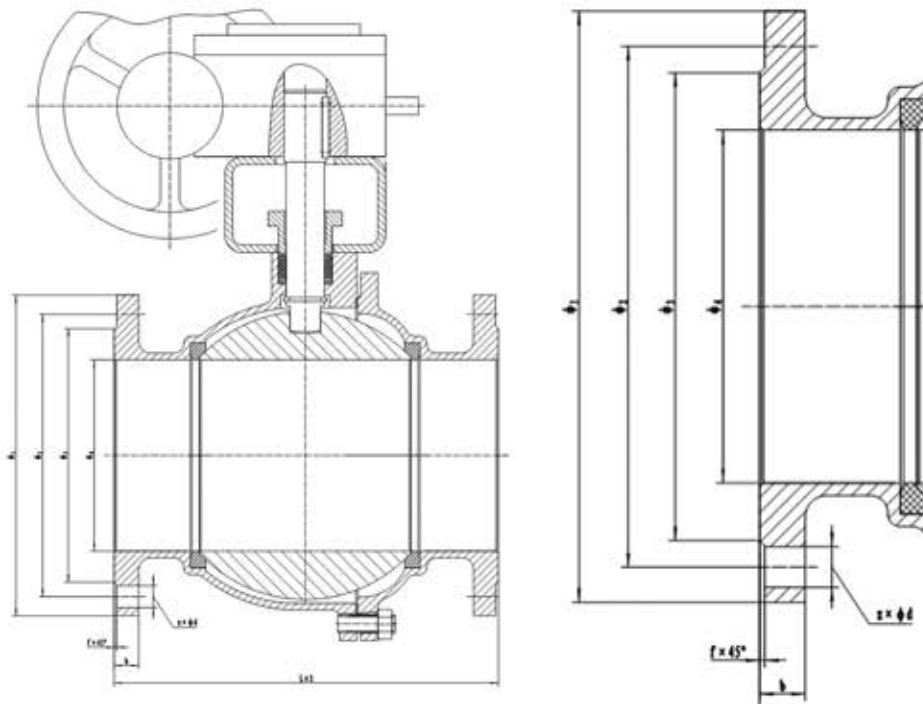
This valve is composed of a valve body, a globe, a valve stem, a worm gear and other parts. The valve stem can be rotated 90° with the worm gear, which can drive the globe to rotate 90° for opening and closing.



## VALVE MATERIAL LIST

Part name	Material
Valve body	CF8
Stem, globe	F304
Sealing ring, packing	F4

## TECHNICAL SPECIFICATIONS



Model	DN (mm)	Size(mm)						
		L	$\phi_1$	$\phi_2$	$\phi_3$	$\phi_4$	b-f	$z^* \phi d$
	80	250	195	160	135	80	18-2	8* $\phi$ 18
	100	280	215	180	155	100	20-2	8* $\phi$ 18
	125	320	245	210	185	125	22-2	8* $\phi$ 18
	150	360	280	240	210	150	24-2	8* $\phi$ 23
	200	403	335	295	265	200	26-2	12* $\phi$ 23