

# Stainless steel three-eccentric hard-sealing butterfly valve



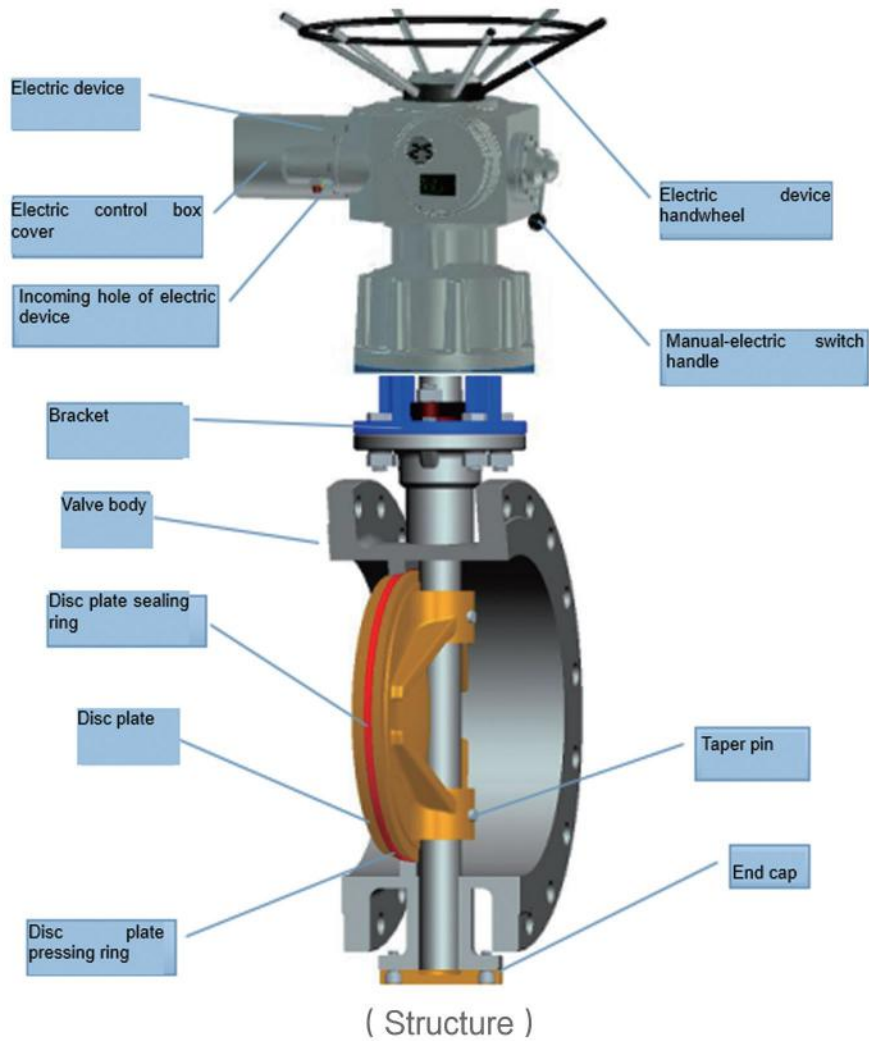
## PRODUCT OVERVIEW

Body material:	CF8
Size range:	DN50 ~ 600
Pressure rating:	1.0 ~ 1.6MPa
Operating temperature:	-29 ~ 425°C
End connection:	Flanged
Applicable medium:	Water, Steam, Oil, Nitric acid liquid
Mode of operation:	Manual, Electric
Applicable industry:	Chemical & Petrochemical, Oil & Gas, Mining & Minerals, Power generation, Water & Water Treatment, Pulp & Paper, Municipal, Heating & Ventilation
Design & Manufacture:	API, ASME, ASTM, ANSI, BS, DIN, JIS, ISO, GB

## DESIGN FEATURES

1. The valve utilizes triple eccentric structure, and has reliable sealing performance, the performance of sealing will be improved when the valve is firmly closed.
2. The disc plate sealing ring is made by pressing multi-layer board combined with flexible graphite and stainless steel plate, which is resistant to medium corrosion, erosion and maintenance-free, and has a long service life.
3. The sealing surface of the valve body is processed with the body processing technology, which is resistant to medium corrosion, erosion and maintenance-free, and has a long service life.
4. The disc plate has high strength, large flow area and low flow resistance.
5. The valve shaft is sealed with flexible graphite packing. The higher the medium pressure, the better the sealing. After the packing is worn out, it can be compensated by pressing the packing gland.



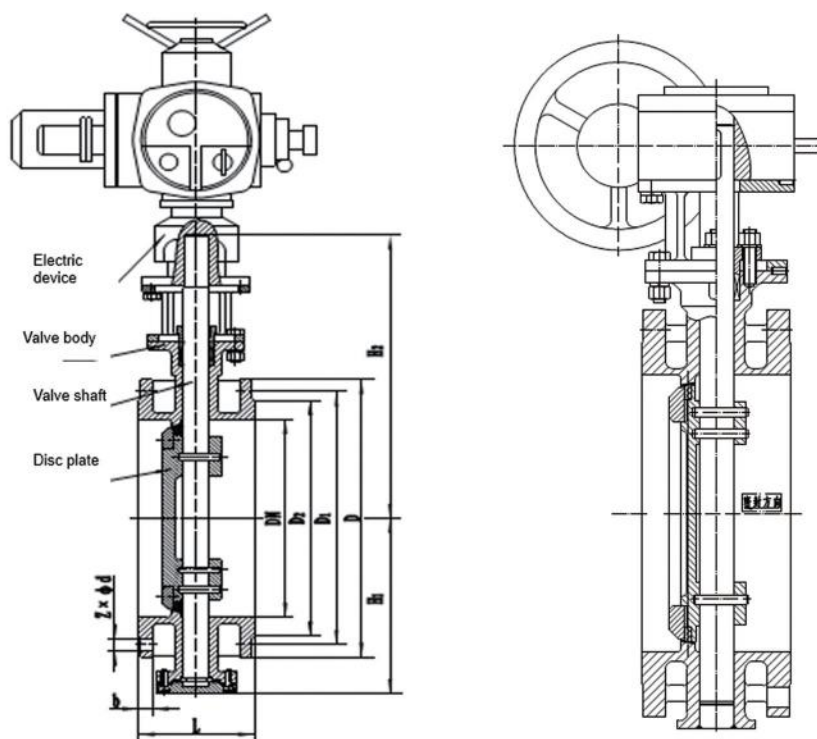


## VALVE MATERIAL LIST

Part name	Material
Valve body, disc plate, bracket, packing gland, end cover	CF8
Valve shaft, cylindrical pin	F304
Disc plate sealing ring	304+XB450
Fasteners in the valve body	304
Other connecting bolts, nuts, washers	304



## TECHNICAL SPECIFICATIONS



Model	DN (mm)	Size(mm)								
		L	D	D <sub>1</sub>	D <sub>2</sub>	D <sub>N</sub>	H <sub>1</sub>	H <sub>2</sub>	b-f	z-φ d
D9/343W - 10P	50	108	165	125	102	60	63	220	20-2	4-φ 18
	65	112	185	145	122	75	100	230	20-2	8-φ 18
	80	114	200	160	138	85	110	237	20-2	8-φ 18
	100	127	220	180	158	108	120	245	22-2	8-φ 18
	125	140	250	210	188	130	135	283	22-2	8-φ 18
	150	140	280	240	212	158	155	312	24-2	8-φ 23
	200	152	335	295	268	206	211.5	352	24-2	8-φ 22
	250	165	395	350	320	256	248.5	392	26-2	12-φ 22
	300	178	445	400	370	304	284	508	26-2	12-φ 22
	350	190	505	460	430	354	315	538	26-2	16-φ 22
	400	216	565	515	482	404	346	560	26-2	16-φ 26
	450	222	615	565	532	454	377	541	28-2	20-φ 26
	500	229	670	620	585	506	417	597	28-2	20-φ 26
	600	267	780	725	685	606	487	674	34-2	20-φ 30

Model	DN (mm)	Size(mm)								
		L	D	D <sub>1</sub>	D <sub>2</sub>	D <sub>N</sub>	H <sub>1</sub>	H <sub>2</sub>	b-f	z-φ d
D9/343W -16P	50	108	165	125	102	60	63	220	20-2	4-φ 18
	65	112	185	145	122	75	100	230	20-2	8-φ 18
	80	114	200	160	138	85	110	237	20-2	8-φ 18
	100	127	220	180	158	108	120	245	22-2	8-φ 18
	125	140	250	210	188	130	135	283	22-2	8-φ 18
	150	140	285	240	212	158	155	312	24-2	8-φ 22
	200	152	340	295	268	206	211.5	352	24-2	12-φ 22
	250	165	405	355	320	256	248.5	392	26-2	12-φ 26
	300	178	460	410	378	304	284	508	28-2	12-φ 26
	350	190	520	470	438	354	315	538	30-2	16-φ 26
	400	216	580	525	490	404	346	560	32-2	16-φ 30
	450	222	640	585	550	454	377	541	34-2	20-φ 30
	500	229	715	650	610	506	417	597	36-2	20-φ 33
	600	267	840	770	725	606	487	674	38-2	20-φ 36