

Pneumatic Wafer Type Concentric Butterfly Valve



PRODUCT OVERVIEW

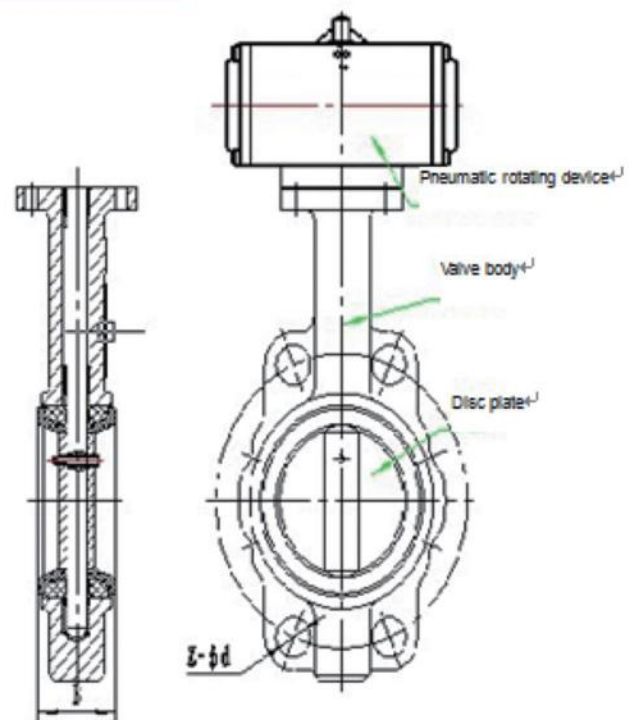
Body material:	Gray cast iron/ Ductile cast iron
Size range:	DN50 ~ 800mm
Pressure rating:	1.0 ~ 1.6MPa
Operating temperature:	-10 ~ 65°C
End connection:	Wafer
Applicable medium:	Water, Sewage
Mode of operation:	Pneumatic
Applicable industry:	Water & Water Treatment, Power Generation, Pulp & Paper, Municipal
Design & Manufacture:	API, ASME, ASTM, ANSI, BS, DIN, JIS, ISO, GB

DESIGN FEATURES

1. It is composed of a valve body, a valve seat, a disc plate, a valve shaft and a pneumatic device.
2. With air compression as the power, the pneumatic device rotates the valve shaft 90° through the mechanical rotation of the piston rack and gear, which drives the disc plate to rotate 90° for opening or closing.

VALVE MATERIAL LIST

Part Name	Part Material
Valve body	Grey cast iron
Valve seat	Phenolic resin + Nitrile rubber
Disc plate	Nodular cast iron
Valve shaft	Carbon steel, Stainless steel



TECHNICAL SPECIFICATIONS

Type	DN	Size			
		Φ	H	Z-Φd	B
D671X-10/16	50	125	315	4-Φ 18	43
	65	145	330	4-Φ 18	46
	80	160	390	8-Φ 18	46
	100	180	431	4-Φ 18	52
	125	210	455	4-Φ 18	56
	150	240	626	4-Φ 23	56
	200	295	720	4-Φ 23	60
	250	355	800	4-Φ 25	68
	300	410	860	4-Φ 30	78
	350	470	883	4-Φ 30	78
	400	515	972	4-Φ 31	88
	450	565	1043	4-Φ 31	106
	500	620	1098	4-Φ 31	132
	600	725	1236	4-Φ 34	154
	700	840	1431	4-M27	165
800	952	1488	4-M30	190	