

# Pneumatic stainless steel floating ball valve



## PRODUCT OVERVIEW

Body material:	CF8
Size range:	DN15 ~ 200
Pressure rating:	1.6MPa
Operating temperature:	-29 ~ 150°C
End connection:	Flanged
Applicable medium:	Water, steam, Oil, Nitric acid liquid
Mode of operation:	Manual
Applicable industry:	Chemical & Petrochemical, Oil & Gas, Mining & Minerals, Power generation, Water & Water Treatment, Pulp & Paper, Municipal, Heating & Ventilation
Design & Manufacture:	API, ASME, ASTM, ANSI, BS, DIN, JIS, ISO, GB

## DESIGN FEATURES

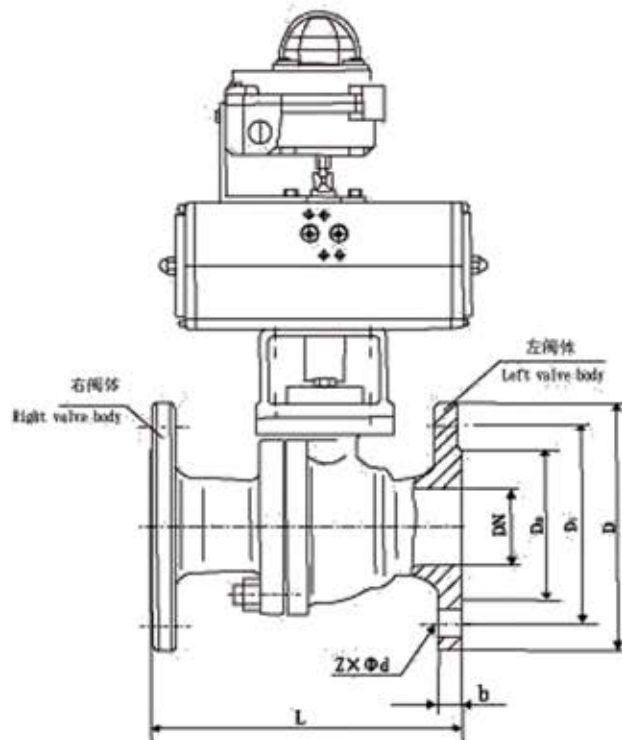
This valve is composed of a valve body, a globe, a valve stem, a worm gear and other parts. The valve stem can be rotated 90° with the worm gear, which can drive the globe to rotate 90° for opening and closing.



## VALVE MATERIAL LIST

Part name	Material
Valve body	CF8
Stem, globe	F304
Sealing ring, packing	F4

## TECHNICAL SPECIFICATIONS



Model	DN (mm)	Size(mm)					
		L	D	D <sub>1</sub>	D <sub>2</sub>	b-f	z-φd
Q41F-16P	15	130	95	65	45	14-2	4-φ14
	20	140	105	75	55	14-2	4-φ14
	25	150	115	85	65	14-2	4-φ14
	32	165	135	100	78	16-2	4-φ18
	40	180	145	110	85	16-2	4-φ18
	50	200	160	125	100	16-2	4-φ18
	65	220	180	145	120	18-2	4-φ18
	80	250	195	160	135	20-2	4-φ18
	100	277	215	180	155	20-2	8-φ18
	125	320	245	210	285	22-2	8-φ18
	150	360	280	240	210	24-2	8-φ23
	200	403	335	295	265	26-2	12-φ23