

Pneumatic cast steel floating ball valve

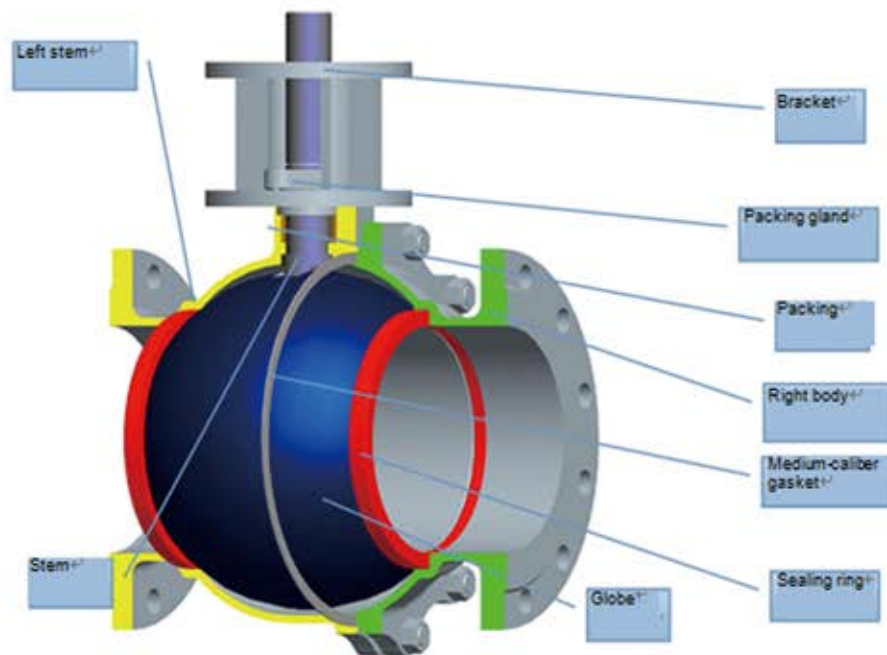


PRODUCT OVERVIEW

Body material:	WCB
Size range:	DN15 ~ 200
Pressure rating:	1.6 ~ 2.5MPa
Operating temperature:	-29 ~ 150°C
End connection:	Flanged
Applicable medium:	Water, Oil, Steam
Mode of operation:	Pneumatic
Applicable industry:	Chemical & Petrochemical, Oil & Gas, Mining & Minerals, Power generation, Water & Water Treatment, Pulp & Paper, Municipal, Heating & Ventilation
Design & Manufacture:	API, ASME, ASTM, ANSI, BS, DIN, JIS, ISO, GB

DESIGN FEATURES

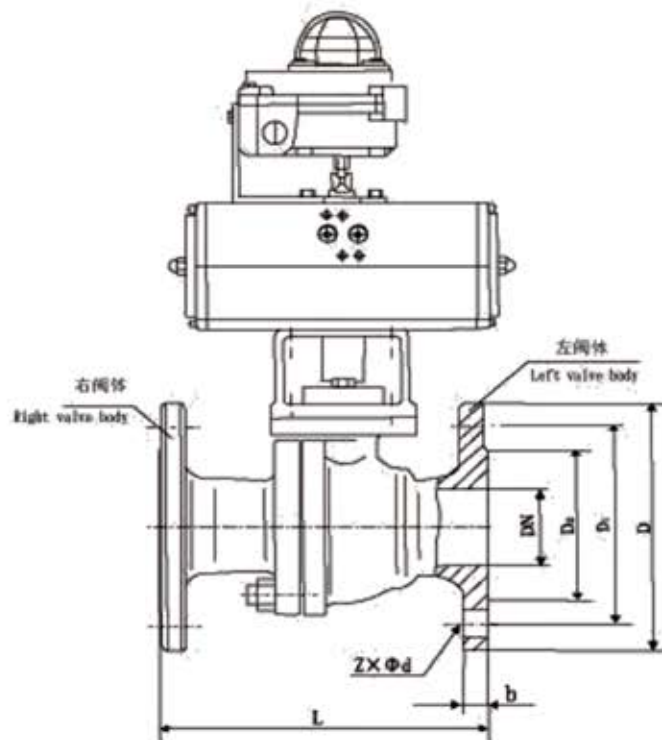
The valve is composed of a valve body, a globe, a valve stem, a pneumatic device and other parts. The pneumatic device makes the valve stem rotate 90° to drive the globe to rotate 90° for opening and closing.



VALVE MATERIAL LIST

Part name	Material
Valve body	WCB
Stem	2Cr13
Globe	201
Sealing ring, packing	PTFE

TECHNICAL SPECIFICATIONS



Model	DN (mm)	Size(mm)						
		L	D	D ₁	D ₂	b-f	z-φ d	H
Q641F-16C	40	180	150	110	84	18-2	4-φ 18	173
	50	203	165	125	99	20-2	4-φ 18	184
	65	222	185	145	118	20-2	4-φ 18	197
	80	241	200	160	132	20-2	8-φ 18	215
	100	305	220	180	156	22-2	8-φ 18	244
	125	356	250	210	184	22-2	8-φ 18	374
	150	394	285	240	211	24-2	8-φ 22	305
	200	457	340	295	266	24-2	12-φ 22	357