

Larger bi-directional three-eccentric butterfly valve



PRODUCT OVERVIEW

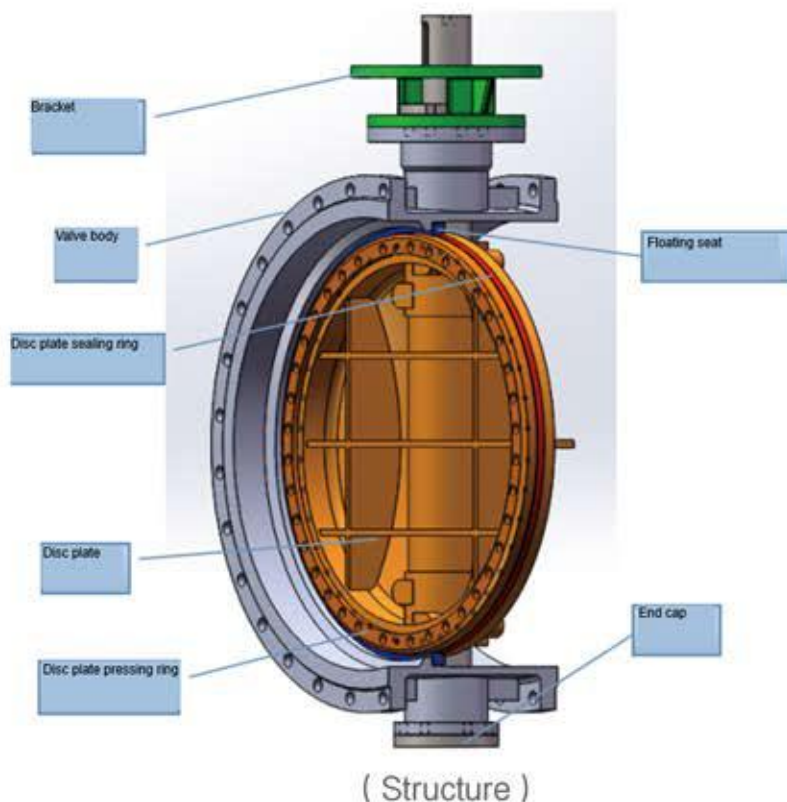
Body material:	WCB
Size range:	DN300 ~ 1600
Pressure rating:	0.6 ~ 2.5MPa
Operating temperature:	-20 ~ 200°C
End connection:	Flanged
Applicable medium:	Water, Sewage, Oil
Mode of operation:	Manual
Applicable industry:	Chemical & Petrochemical, Oil & Gas, Mining & Minerals, Power generation, Water & Water Treatment, Pulp & Paper, Municipal, Heating & Ventilation
Design & Manufacture:	API, ASME, ASTM, ANSI, BS, DIN, JIS, ISO, GB

DESIGN FEATURES

1. This valve is driven by a worm gear, connected by flange, comply with JB/T 8527 design standard, and utilizes triple eccentric structure. The rotation axis of the disc plate (the stem axis) forms an offset distance from the sealing surface and an angle with the axis of the flow channel of the valve body. This valve consists of a valve body, a disc plate, a valve stem, a disc plate sealing ring, a disc plate pressing ring, a floating seat, a O-ring, a bracket, an end cover and other parts.

2. The valve is opened by driving the worm Gear, rotate the valve stem 90° to drive the disc plate to rotate 90° , thus to realize the opening or closing. Because the product utilizes triple eccentric structure, it can create cam effect during the opening and closing process, which decreases the valve switching torque, reduces the wear between the valve seat and the disc plate, and prolongs the service life of the valve.

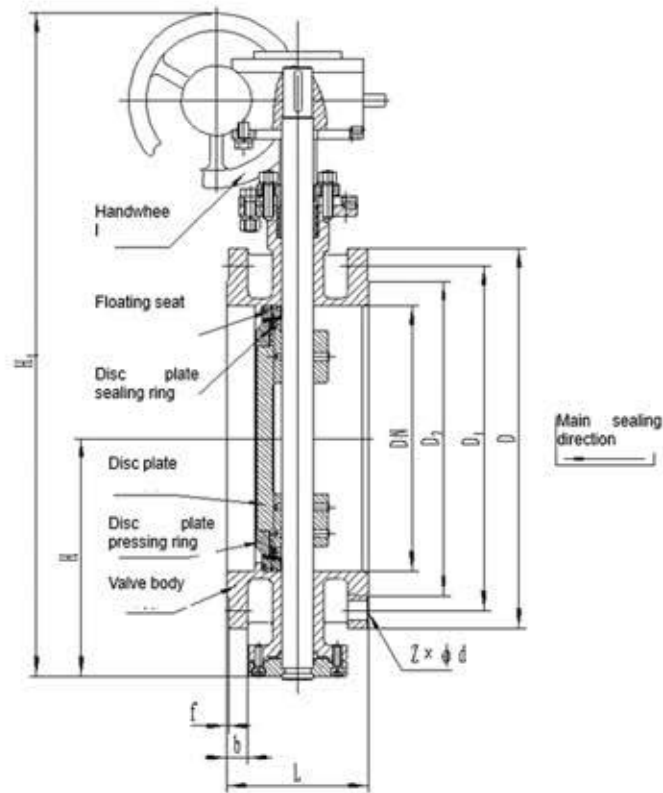




VALVE MATERIAL LIST

Part name	Material
Valve body, bracket, packing gland	WCB
Disc plate	20/WCB
Valve shaft	Stainless steel 2Cr13
End cover, disc plate pressing ring	25, Q235
Disc plate sealing ring	430+XB450
Fasteners in the valve body	35/45
Other connecting bolts, nuts, washers	Grade 8.8
O-ring	fluororubber
Floating seat	Q235/304

TECHNICAL SPECIFICATIONS



Model	DN (mm)	Size(mm)							
		L	H	H ₁	D	D ₁	D ₂	b-f	z*φd
Ds343H-6C	300	178	283	800	440	395	363	26-2	12*φ22
	350	190	310	835	490	445	413	26-2	12*φ22
	400	216	340	915	540	495	463	26-2	16*φ22
	450	222	380	960	595	550	518	28-2	16*φ22
	500	229	410	1020	645	600	568	28-2	20*φ22
	600	267	470	1225	755	705	667	34-2	20*φ26
	700	292	550	1355	860	810	772	34-5	24*φ26
	800	318	640	1470	975	920	878	36-5	24*φ30
	900	330	710	1545	1075	1020	978	38-5	24*φ30
	1000	410	770	1795	1175	1120	1078	26-5	28*φ30
	1200	470	890	1965	1405	1340	1295	28-5	32*φ33
	1400	530	920	2380	1630	1560	1510	32-5	36*φ36
1600	600	1085	2956	1830	1760	1710	34-5	40*φ36	

Model	DN (mm)	Size(mm)							
		L	H	H ₁	D	D ₁	D ₂	b-f	z* φ d
Ds343H-10C	300	178	283	800	445	400	370	26-2	12* φ 22
	350	190	310	835	505	460	429	26-2	16* φ 22
	400	216	340	915	565	515	480	26-2	16* φ 26
	450	222	380	960	615	565	530	28-2	20* φ 26
	500	229	410	1020	670	620	582	28-2	20* φ 26
	600	267	470	1225	780	725	682	34-2	20* φ 30
	700	292	550	1355	895	840	794	34-5	24* φ 30
	800	318	640	1470	1015	950	901	36-5	24* φ 33
	900	330	710	1545	1115	1050	1001	38-5	28* φ 33
	1000	410	770	1795	1230	1160	1112	38-5	28* φ 36
	1200	470	890	1965	1455	1380	1330	44-5	32* φ 39
	1400	530	920	2380	1675	1590	1535	48-5	36* φ 42
	1600	600	1085	2956	1915	1820	1760	52-5	40* φ 48

Model	DN (mm)	Size(mm)							
		L	H	H ₁	D	D ₁	D ₂	b-f	z* φ d
Ds343H-16C	300	178	283	800	460	410	370	28-2	12* φ 26
	350	190	310	835	520	470	429	30-2	16* φ 26
	400	216	340	915	580	525	480	32-2	16* φ 30
	450	222	380	960	640	585	548	34-4	20* φ 30
	500	229	410	1020	715	650	609	36-4	20* φ 33
	600	267	470	1225	840	770	720	38-5	20* φ 36
	700	292	550	1355	910	840	794	40-5	24* φ 36
	800	318	640	1470	1025	950	901	42-5	24* φ 39
	900	330	710	1545	1125	1050	1001	44-5	28* φ 39
	1000	410	770	1795	1255	1170	1112	46-5	28* φ 42
	1200	470	890	1965	1485	1390	1330	52-5	32* φ 48
	1400	530	920	2380	1685	1590	1530	52-5	36* φ 48
	1600	600	1085	2956	1930	1820	1750	58-5	40* φ 56

Model	DN (mm)	Size(mm)							
		L	H	H ₁	D	D ₁	D ₂	b-f	z* φ d
Ds343H-25C	300	178	283	800	485	430	389	34-2	16* φ 30
	350	190	310	835	555	490	448	38-2	16* φ 33
	400	216	340	915	620	550	503	40-2	16* φ 36
	450	222	380	960	670	600	548	46-2	20* φ 36
	500	229	410	1020	730	660	609	48-2	20* φ 36
	600	267	470	1225	845	770	720	48-2	20* φ 39
	700	292	550	1355	960	875	820	50-5	24* φ 42
	800	318	640	1470	1085	990	928	54-5	24* φ 48
	900	330	710	1545	1185	1090	1028	58-5	28* φ 48
	1000	410	770	1795	1320	1210	1140	62-5	28* φ 56
	1200	470	890	1965	1530	1420	1350	70-5	32* φ 56
	1400	530	920	2380	1755	1640	1560	76-5	36* φ 62
	1600	600	1085	2956	1975	1860	1780	84-5	40* φ 42