

# KS stainless steel flanged globe valve

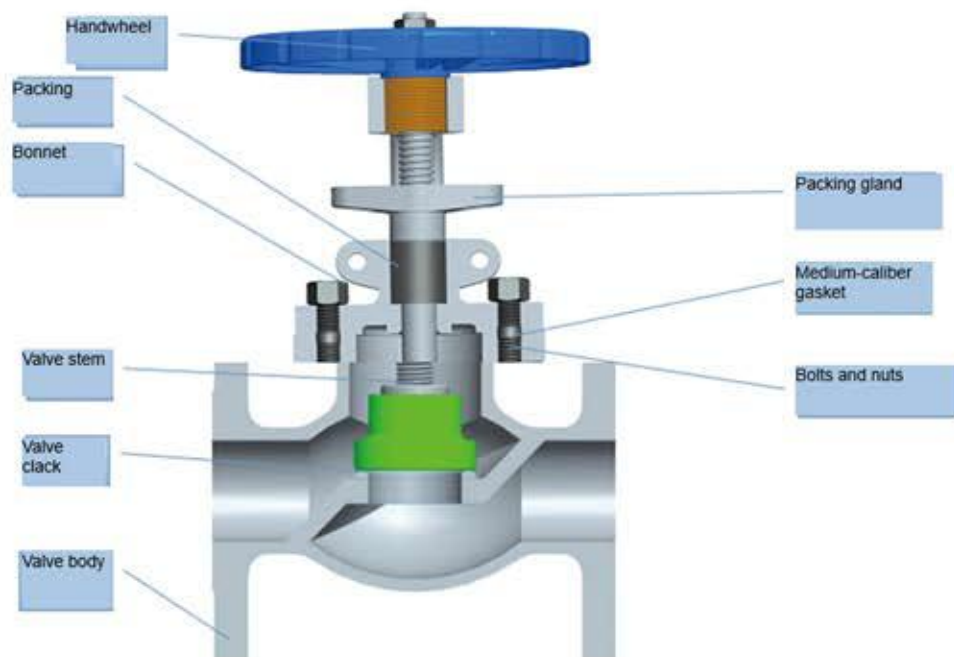


## PRODUCT OVERVIEW

Body material:	CF8
Size range:	DN50 ~ 200
Pressure rating:	1.0MPa
Operating temperature:	-29 ~ 150°C
End connection:	Flanged
Applicable medium:	Water , Steam, Oil, Nitric acid liquid
Mode of operation:	Manual
Applicable industry:	Chemical & Petrochemical, Oil & Gas, Mining & Minerals, Power generation, Water & Water Treatment, Pulp & Paper, Municipal, Heating & Ventilation
Design & Manufacture:	API, ASME, ASTM, ANSI, BS, DIN, JIS, ISO, GB

## DESIGN FEATURES

1. The structure is reasonable and compact, and the size is small. The valve body is barrel-shaped or streamlined, which looks quite beautiful.
2. The opening and closing torque is small, and the sealing is safe and reliable.

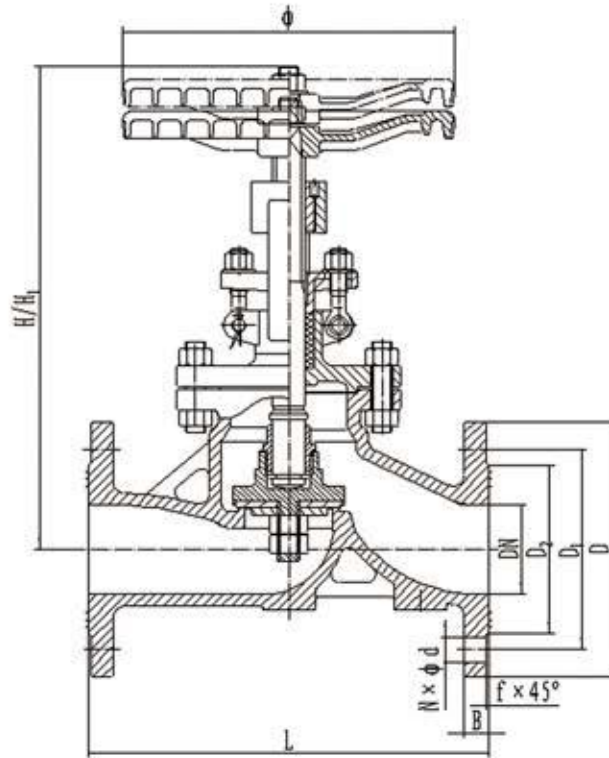


( Structure )

## VALVE MATERIAL LIST

Part name	Material
Valve body, Bonnet	CF8
Valve clack	CF8
Valve stem	F304
Stem nut	ZCuAl10Fe3

## TECHNICAL SPECIFICATIONS



Model	DN (mm)	Size(mm)								
		L	D	D <sub>1</sub>	D <sub>2</sub>	b-f	z-φd	H <sub>1</sub>	H <sub>2</sub>	D <sub>0</sub>
J41W-10K	50	203	155	120	96	16-2	4-φ19	289.5	315	200
	65	216	175	140	116	18-2	4-φ19	294.5	326.5	200
	80	241	185	150	126	18-2	8-φ19	322.5	355	240
	100	292	210	175	151	18-2	8-φ19	345.5	380	280
	125	356	250	210	182	20-2	8-φ23	414	460	280
	150	406	280	240	212	22-2	8-φ23	443	495	360
	200	495	330	290	262	22-2	12-φ23	530	602	450