

KS cast steel swing check valve

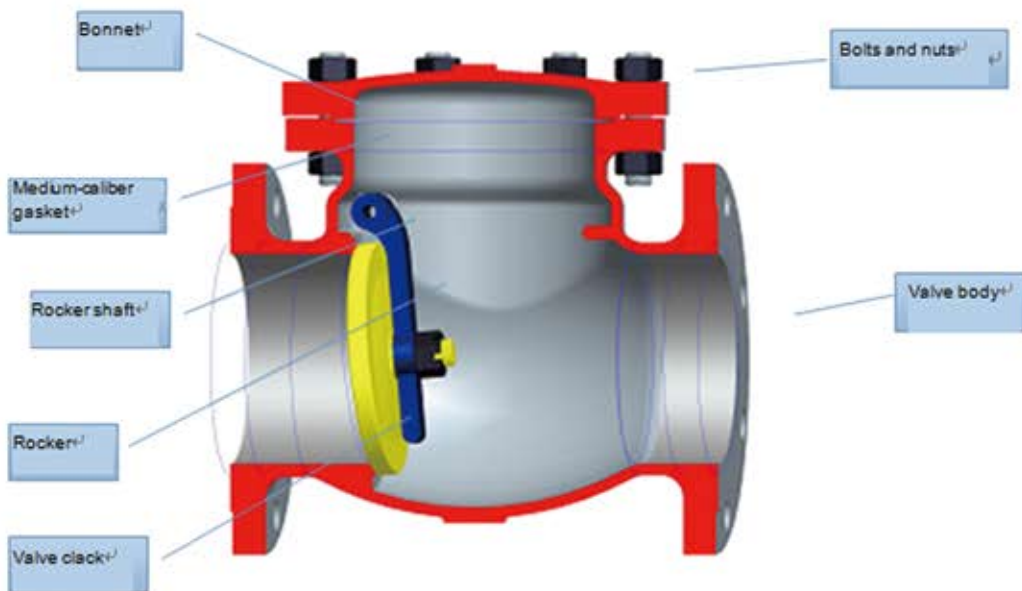


PRODUCT OVERVIEW

Body material:	WCB
Size range:	DN50 ~ 300
Pressure rating:	1.6 ~ 2.5MPa
Operating temperature:	-29 ~ 425°C
End connection:	Flanged
Applicable medium:	Water, Sewage, Steam, Oil
Mode of operation:	/
Applicable industry:	Chemical & Petrochemical, Oil & Gas, Mining & Minerals, Power generation, Water & Water Treatment, Pulp & Paper, Municipal, Heating & Ventilation
Design & Manufacture:	API, ASME, ASTM, ANSI, BS, DIN, JIS, ISO, GB

DESIGN FEATURES

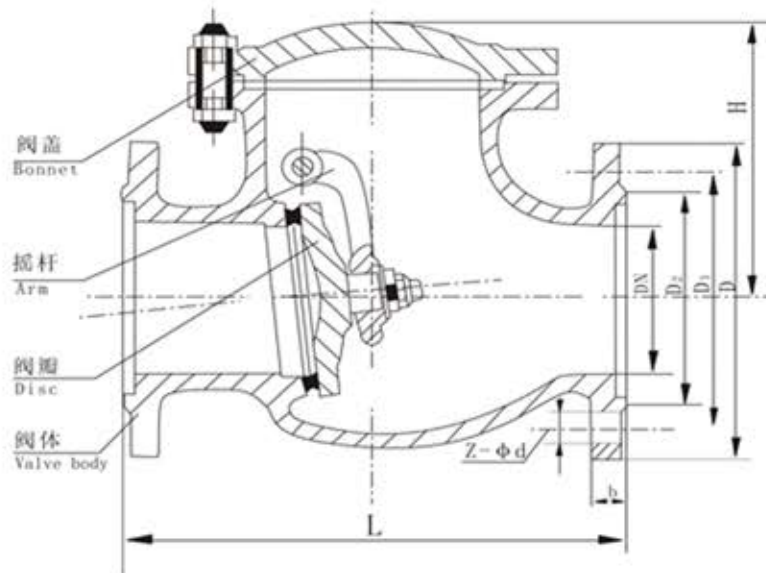
This valve is composed of a valve body, a bonnet, a valve clack, a rocker and a rocker shaft, etc. The valve clack can automatically prevent the fluid from flowing back. The valve clack of this valve opens under the action of fluid pressure, and the fluid flows from the inlet to the outlet. When the inlet pressure is lower than the outlet pressure, the valve clack closes automatically under the action of the fluid pressure difference, gravity and other factors to prevent the medium from flowing back.



VALVE MATERIAL LIST

Part name	Part material
Valve body, bonnet	WCB
Valve clack	WCB
Rocker	WCB
Rocker shaft	Carbon steel, stainless steel

TECHNICAL SPECIFICATIONS



Model	DN (mm)	Size(mm)						
		L	D	D ₁	D ₂	b-f	z-φ d	H
H44H-16C	50	203	155	120	96	16-2	4-φ 19	160
	65	216	175	140	116	18-2	4-φ 19	175
	80	241	185	150	126	18-2	8-φ 19	190
	100	292	210	175	151	18-2	8-φ 19	215
	125	330	250	210	182	20-2	8-φ 23	240
	150	356	280	240	212	22-2	8-φ 23	255
	200	495	330	290	262	22-2	12-φ 23	295
	250	622	400	355	324	24-2	12-φ 25	340
	300	698	445	400	368	24-3	16-φ 25	390

Model	DN (mm)	Size(mm)						
		L	D	D ₁	D ₂	b-f	z-φ d	H
H44H-25	50	267	155	120	96	22-2	8-φ 19	170
	65	292	175	140	116	24-2	8-φ 19	185
	80	318	200	160	132	26-2	8-φ 23	210
	100	356	225	185	160	28-2	8-φ 23	245
	125	400	270	225	195	30-2	8-φ 25	270
	150	444	305	260	230	32-2	12-φ 25	295
	200	533	350	305	275	34-2	12-φ 25	345
	250	622	430	380	345	38-2	12-φ 27	390
	300	711	480	430	395	40-3	16-φ 27	445