

KS cast steel flanged globe valve

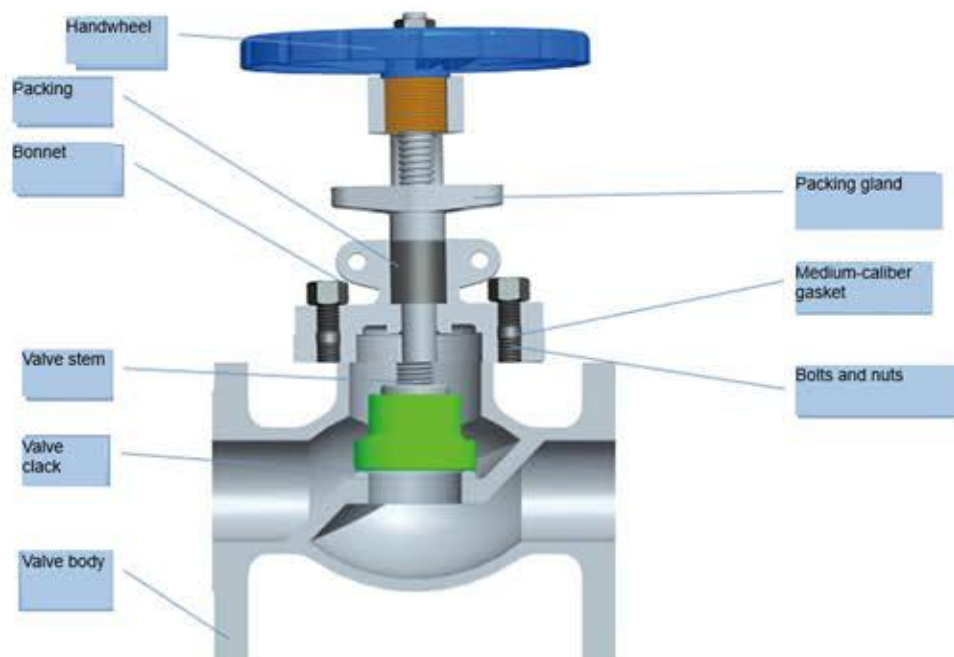


PRODUCT OVERVIEW

Body material:	WCB
Size range:	DN50 ~ 200
Pressure rating:	1.0 ~ 2.0MPa
Operating temperature:	-29 ~ 220°C
End connection:	Flanged
Applicable medium:	Water, Steam, Oil
Mode of operation:	Manual
Applicable industry:	Chemical & Petrochemical, Oil & Gas, Mining & Minerals, Power generation, Water & Water Treatment, Pulp & Paper, Municipal, Heating & Ventilation
Design & Manufacture:	API, ASME, ASTM, ANSI, BS, DIN, JIS, ISO, GB

DESIGN FEATURES

1. The structure is reasonable and compact, and the size is small. The valve body is barrel-shaped or streamlined, which looks quite beautiful.
2. The opening and closing torque is small, and the sealing is safe and reliable.

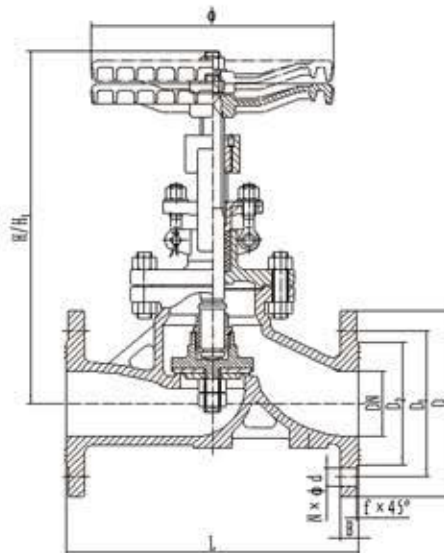


(Structure)

VALVE MATERIAL LIST

Part name	Material
Valve body, Bonnet	WCB
Valve clack	25
Valve stem	2Cr13
Stem nut	ZCuAl10Fe3

TECHNICAL SPECIFICATIONS



Model	DN (mm)	Size(mm)								
		L	D	D ₁	D ₂	b-f	z-φ d	H ₁	H ₂	D ₀
J41H-10K	50	203	155	120	96	16-2	4-φ 19	289.5	315	200
	65	216	175	145	116	18-2	4-φ 19	294.5	326.5	200
	80	241	185	150	126	18-2	8-φ 19	322.5	355	240
	100	292	210	175	151	18-2	8-φ 19	345.5	380	280
	125	356	250	210	182	20-2	8-φ 23	414	460	280
	150	406	280	240	212	22-2	8-φ 23	443	495	360
	200	495	330	290	262	22-2	12-φ 23	530	602	450

Model	DN (mm)	Size(mm)								
		L	D	D ₁	D ₂	b-f	z-φ d	H ₁	H ₂	D ₀
J41H-10K	50	267	155	120	96	22-2	8-φ 19	289.5	314	240
	65	292	175	140	116	24-2	8-φ 19	319	347	240
	80	318	200	160	132	26-2	8-φ 23	345	382	280
	100	356	225	185	160	28-2	8-φ 23	395	426	360
	125	400	270	225	195	30-2	8-φ 25	441	485	400
	150	444	305	260	230	32-2	12-φ 25	461	510	450
	200	559	350	305	275	34-2	12-φ 25	737	790	560