

Fully welded ball valve



PRODUCT OVERVIEW

Body material:	20# Low carbon steel
Size range:	DN15 ~ 200
Pressure rating:	2.5MPa
Operating temperature:	-20 ~ 200°C
End connection:	Welded
Applicable medium:	Water, Steam, Oil
Mode of operation:	Manual
Applicable industry:	Chemical & Petrochemical, Oil & Gas, Mining & Minerals, Power generation, Water & Water Treatment, Pulp & Paper, Municipal, Heating & Ventilation
Design & Manufacture:	API, ASME, ASTM, ANSI, BS, DIN, JIS, ISO, GB

DESIGN FEATURES

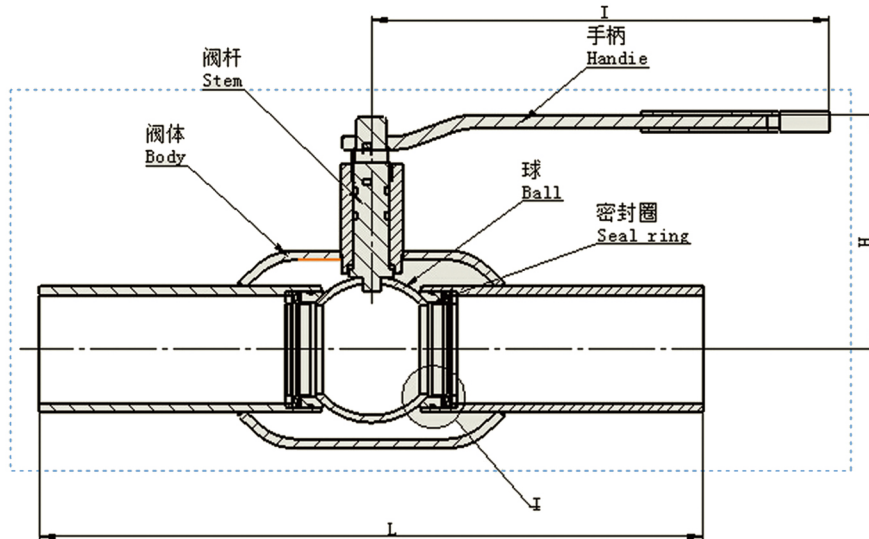
1. All-welded ball valves Q61F are connected by butt welding, the product implements GB/T12238 standard.

2. Q61F is composed of a valve body, a globe, a valve stem, a valve seat, a handle with a disc spring and other parts. The handle parallel to the pipeline axis indicates that the valve is in the open position, and the handle perpendicular to the pipeline axis indicates that the valve is in the closed position. The valve can be opened and closed by giving the handle a quarter turn.

VALVE MATERIAL LIST

Main Parts	Material
Body	20#
Ball	304SS
Stem	2r13
Seal Ring	PTFE+C





TECHNICAL SPECIFICATIONS

Model	G	Size (mm)		
		L	H	I
Q61F-40c	15	230	98	145
	20	230	103	145
	25	260	118	145
	32	260	121	145
	40	300	120	190
	50	300	127	190
Q61F-25C	65	300	159	280
	80	300	171	280
	100	325	218	280
	125	350	252	400
	150	390	272	900
	200	520	300	900