

Expansion hard-sealing butterfly valve



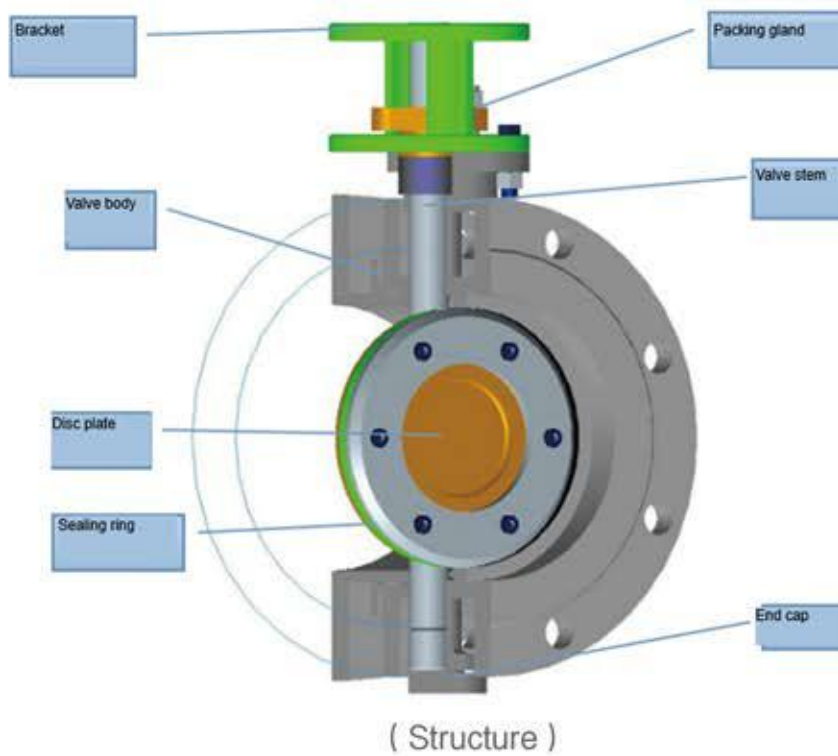
PRODUCT OVERVIEW

Body material:	WCB
Size range:	DN50 ~ 1000
Pressure rating:	1.0MPa
Operating temperature:	-29 ~ 170°C
End connection:	Flanged
Applicable medium:	Water , Steam, Oil
Mode of operation:	Manual, Electric
Applicable industry:	Chemical & Petrochemical, Oil & Gas, Mining & Minerals, Power generation, Water & Water Treatment, Pulp & Paper, Municipal, Heating & Ventilation
Design & Manufacture:	API, ASME, ASTM, ANSI, BS, DIN, JIS, ISO, GB

DESIGN FEATURES

1. The valve utilizes triple eccentric structure, and has reliable sealing performance, the performance of sealing will be improved when the valve is firmly closed.
2. The disc plate sealing ring is made by pressing multi-layer board combined with flexible graphite and stainless steel plate, which is resistant to medium corrosion, erosion and maintenance-free, and has a long service life.
3. The sealing surface of the valve body is processed with surfacing stainless steel material technology, which is resistant to medium corrosion, erosion and maintenance-free, and has a long service life.
4. The disc plate has high strength, large flow area and low flow resistance.
5. The valve shaft is sealed with flexible graphite packing. The higher the medium pressure, the better the sealing. After the packing is worn out, it can be compensated by pressing the packing gland.
6. The valves above DN300 is provided with a floating valve seat to compensate the clearance caused by the deformation of disc plate by moving the floating seat back and forth when the reverse pressure is applied for the purpose of sealing.
7. The functions of the flanged bidirectional sealing butterfly valve and the pipeline expander are integrated, which can not only cut off or adjust the medium flow and bear the reverse pressure, but also eliminate the contraction caused by the installation stress of pipeline.

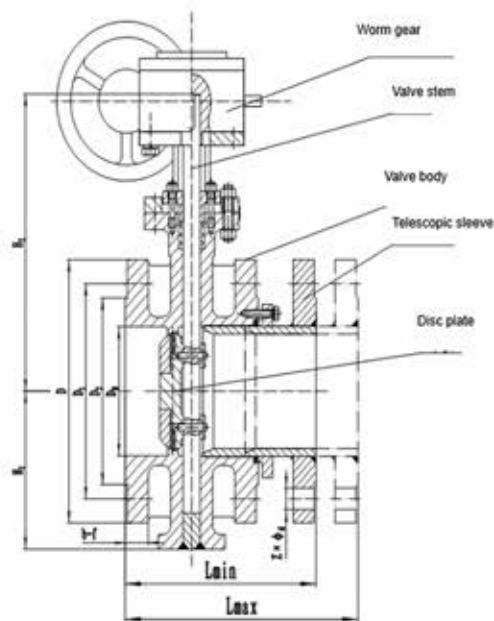




VALVE MATERIAL LIST

Part name	Material
Valve body, bracket, packing gland	WCB
Valve shaft	Stainless steel 2Cr13
End cover, disc plate pressing ring	45, Q235
Disc plate sealing ring	Nitrile rubber
Fasteners in the valve body	35/45
Other connecting bolts, nuts, washers	Grade 8.8
O-ring	rubber
Telescopic sleeve	25

TECHNICAL SPECIFICATIONS



Model	DN (mm)	Size(mm)							
		Lmin	Lmax	D	D ₁	D ₂	H ₁	H ₂	z-φ d
SD343X-10C	50	138	168	165	125	99	83	236	4-φ 18
	65	153	183	185	145	118	93	246	8-φ 18
	80	163	193	200	160	132	100	257	8-φ 18
	100	185	225	220	180	156	110	261	8-φ 18
	125	195	235	250	210	184	125	303	8-φ 18
	150	195	235	285	240	211	155	265	8-φ 22
	200	215	265	340	295	266	182	355	8-φ 22
	250	235	285	395	350	319	217	393	12-φ 22
	300	255	305	445	400	370	245	441	12-φ 22
	350	275	325	505	460	429	275	497	16-φ 22
	400	285	345	565	515	480	355	547	16-φ 26
	450	310	370	615	565	530	386	573	20-φ 26
	500	320	380	670	620	582	423	609	20-φ 26
	600	365	425	780	725	682	499	706	20-φ 30
	700	395	465	895	840	794	536	752	24-φ 30
	800	430	510	1015	950	901	619	855	24-φ 33
	900	480	580	1115	1050	1001	624	885	28-φ 33
1000	530	630	1230	1160	1112	693	948	28-φ 36	