

Electric wafer type three-eccentric butterfly valve



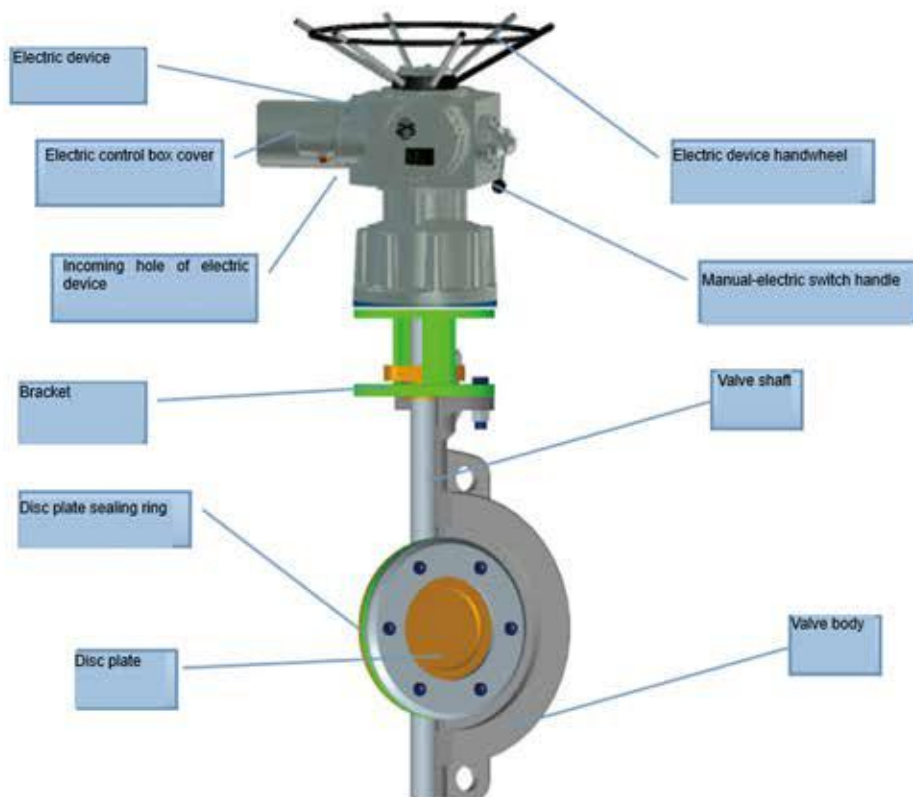
PRODUCT OVERVIEW

Body material:	WCB
Size range:	DN50 ~ 600
Pressure rating:	1.6 ~ 2.5MPa
Operating temperature:	-29 ~ 425°C
End connection:	Wafer
Applicable medium:	Water, Sewage, Steam, Oil
Mode of operation:	Electric
Applicable industry:	Chemical & Petrochemical, Oil & Gas, Mining & Minerals, Power generation, Water & Water Treatment, Pulp & Paper, Municipal, Heating & Ventilation
Design & Manufacture:	API, ASME, ASTM, ANSI, BS, DIN, JIS, ISO, GB

DESIGN FEATURES

1. The valve utilizes triple eccentric structure, and has reliable sealing performance, the performance of sealing will be improved when the valve is firmly closed, and the service life is long.

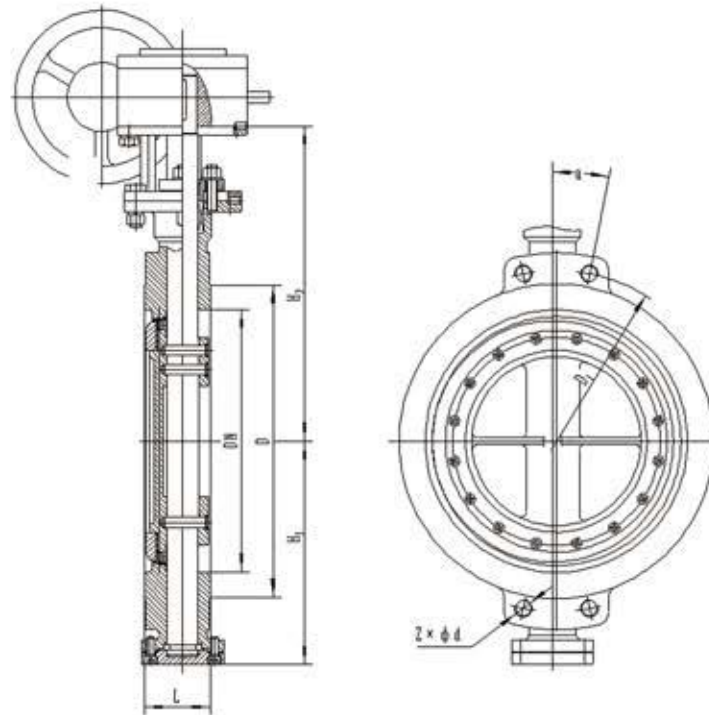
2. The valve is small in size, light in weight, simple for operation and easy to install.



VALVE MATERIAL LIST

Part name	Material
Valve body, disc plate, bracket, packing gland	WCB
Valve shaft	2Cr13
Sealing ring	430+XB450

TECHNICAL SPECIFICATIONS



Model	DN (mm)	Size(mm)						
		L	D	D ₁	z-φd	H ₁	H ₂	a
D9/373H-16C	50	43	100	125	4-φ18	67	197	45
	65	46	118	145	4-φ18	73	205	45
	80	49	130	160	4-φ18	97	220	22.5
	100	56	150	180	4-φ18	105	220	22.5
	125	64	185	210	4-φ18	120	252	22.5
	150	70	211	240	4-φ22	162	280	22.5
	200	71	266	295	4-φ22	200	322	15
	250	76	319	355	4-φ26	233	370	15
	300	83	370	410	4-φ26	261	395	15
	350	92	429	470	4-M24	290	440	11.25
	400	102	480	525	4-M27	344	485	11.25
	450	114	548	585	4-M27	382	520	9
	500	127	609	650	4-M30	421	560	9
	600	154	720	770	4-M33	491	657	9

Model	DN (mm)	Size(mm)						
		L	D	D ₁	z-φd	H ₁	H ₂	a
D9/373H- 25C	65	46	118	145	4-φ18	73	205	22.5
	80	49	130	160	4-φ18	97	220	22.5
	100	56	150	190	4-φ22	105	220	22.5
	125	64	185	220	4-φ26	120	252	22.5
	150	70	211	250	4-φ26	175	280	22.5
	200	71	274	310	4-φ26	210	330	15
	250	76	330	370	4-φ30	238	375	15
	300	83	389	430	4-M27	272	410	11.25
	350	92	448	490	4-M30	315	460	11.25
	400	102	503	550	4-M33	364	510	11.25
	450	114	548	600	4-M33	397	535	9
	500	127	609	660	4-M33	426	570	9
	600	154	720	770	4-M36	491	657	9