

Electric Wafer Type Concentric Butterfly Valve

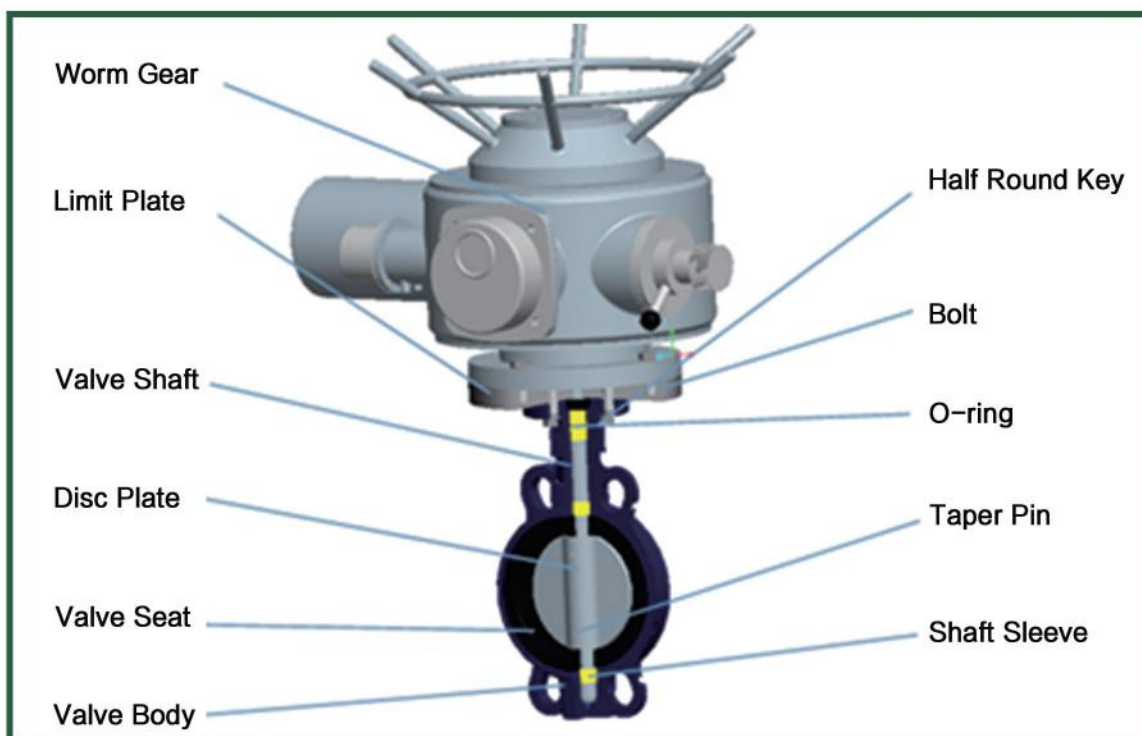


PRODUCT OVERVIEW

Body material:	Gray cast iron/Ductile cast iron
Size range:	DN50 ~ 800mm
Pressure rating:	1.0 ~ 1.6MPa
Operating temperature:	0 ~ 80°C
End connection:	Wafer
Applicable medium:	Water, Sewage
Mode of operation:	Electric
Applicable industry:	Water & Water Treatment, Power Generation, Pulp & Paper, Municipal
Design & Manufacture:	API, ASME, ASTM, ANSI, BS, DIN, JIS, ISO, GB

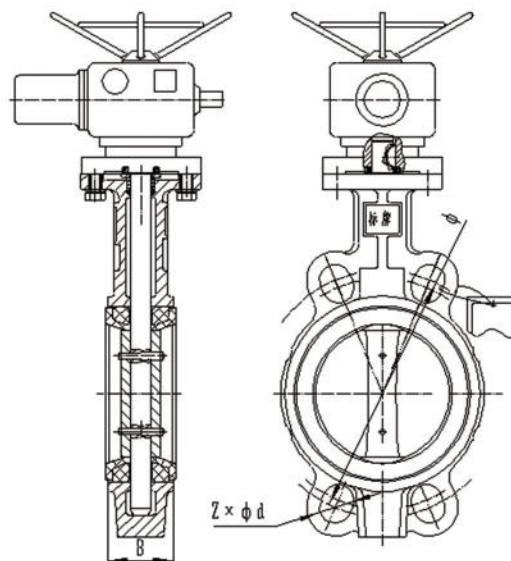
DESIGN FEATURES

1. The valve is small in size, light in weight, and easy for operation.
2. It is of a half-shaft structure for rapid opening by rotating 90 ° . The disc plate is characterized by high strength, large flow area, small flow resistance, and energy saving.
3. The medium can flow in any direction from both sides of the flanged butterfly valve, and both can achieve the purpose of switching on or off.
4. The valve can be operated with a small torque, and it is labor-saving and light.
5. It is subject to up to 10,000 times of opening and closing experiments, and so the life is long.
6. It is capable of achieving the complete sealing, and no gas is leaked in the experiment.



VALVE MATERIAL LIST

Part Name	Part Material
Valve body	Gray cast iron/Nodular cast iron
Valve seat	Phenolic resin + Nitrile rubber
Disc Plate	Nodular cast iron
Valve shaft	Carbon steel, Stainless steel



TECHNICAL SPECIFICATIONS

Type	DN	Size		
		Φ	Z-Φ d	B
D971X-10/16	50	125	4-Φ 18	43
	65	145	4-Φ 18	46
	80	160	8-Φ 18	46
	100	180	4-Φ 18	52
	125	210	4-Φ 18	56
	150	240	4-Φ 23	56
	200	295	4-Φ 23	60
	250	355	4-Φ 25	68
	300	410	4-Φ 30	78
	350	470	4-Φ 30	78
	400	515	4-Φ 31	88
	450	565	4-Φ 31	106
	500	620	4-Φ 31	132
	600	725	4-Φ 34	154
	700	840	4-M27	165
	800	952	4-M30	190