

# Electric stainless steel floating ball valve

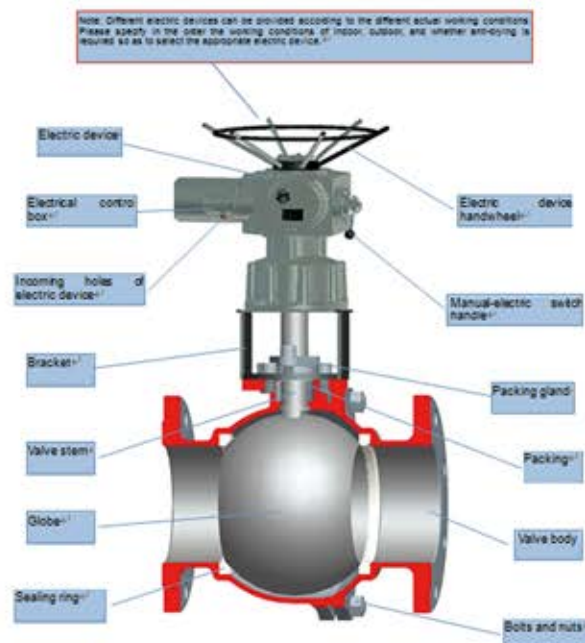


## PRODUCT OVERVIEW

Body material:	CF8
Size range:	DN40 ~ 200
Pressure rating:	1.6MPa
Operating temperature:	-29 ~ 150°C
End connection:	Flanged
Applicable medium:	Water, steam, Oil, Nitric acid liquid
Mode of operation:	Electric
Applicable industry:	Chemical & Petrochemical, Oil & Gas, Mining & Minerals, Power generation, Water & Water Treatment, Pulp & Paper, Municipal, Heating & Ventilation
Design & Manufacture:	API, ASME, ASTM, ANSI, BS, DIN, JIS, ISO, GB

## DESIGN FEATURES

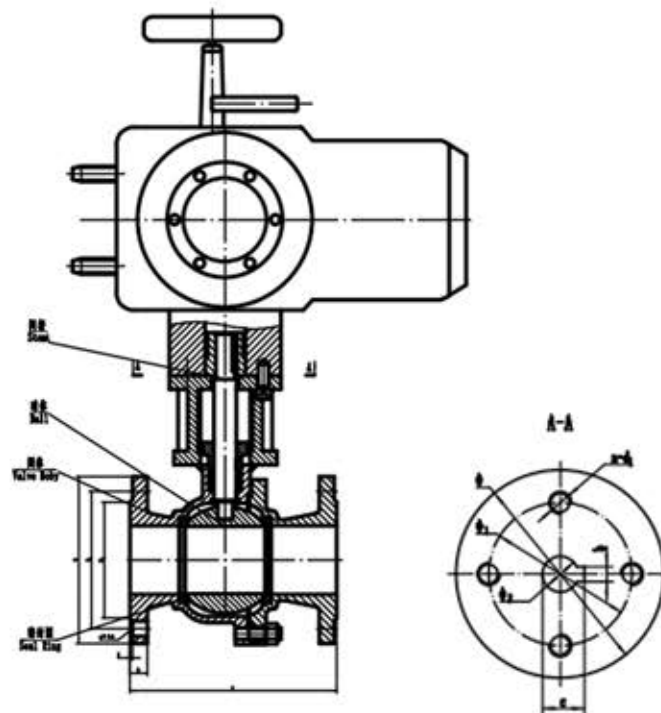
1. This valve is mainly composed of a valve body, a globe, a valve stem, a bracket and other parts.
2. The valve stem rotated by the motor of the electric device or a wrench drives the globe to rotate vertically for the purpose of opening and closing.



## VALVE MATERIAL LIST

Part name	Material
Left body, Right body, packing gland	CFS
Globe, stem	F304.1
Sealing ring, medium-caliber gasket, packing	PTFE
Bracket	Q235
Bolts, nuts	304

## TECHNICAL SPECIFICATIONS



Model	DN (mm)	Size(mm)											
		L	D	D <sub>1</sub>	D <sub>2</sub>	b-f	z*φ d	φ	φ <sub>1</sub>	φ <sub>2</sub>	c	d	n-d1
Q941F-16P	40	180	145	110	85	16-2	4*φ 18	130	57	12.7	14.1	3	4-M6
	50	200	160	125	100	16-2	4*φ 18	130	70	15.8	18.1	5	4-M8
	65	220	180	145	120	18-2	4*φ 18	130	70	19.05	21.3	5	4-M8
	80	250	195	160	135	18-2	8*φ 18	130	89	22.2	24.5	5	4-M12
	100	277	215	180	155	20-2	8*φ 18	130	89	28.6	31.9	8	4-M12
	125	320	245	210	185	22-2	8*φ 18	150	88.9	28.6	31.9	8	4-M12
	150	360	280	240	210	24-2	8*φ 23	150	108	31.8	35.1	8	4-M12
	200	403	335	295	265	26-2	12*φ 23	200	159	33.34	36.8	10	4-M18