

Electric stainless steel flanged gate valve



PRODUCT OVERVIEW

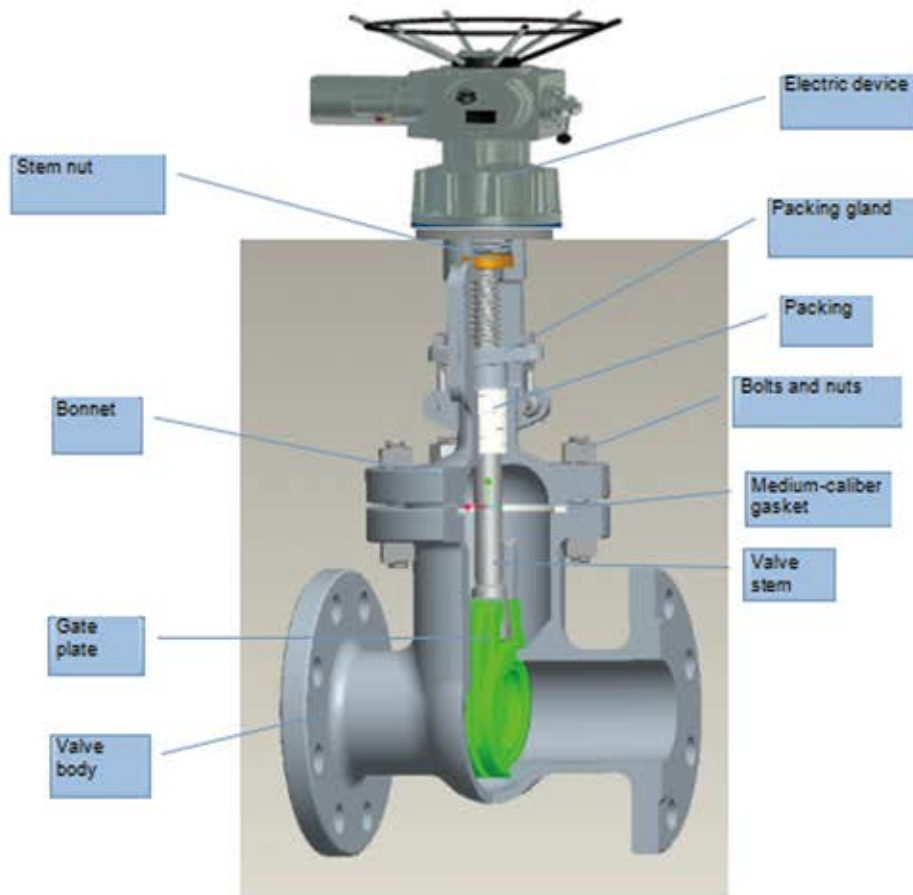
| | |
|------------------------|---|
| Body material: | CF8 |
| Size range: | DN40 ~ 400 |
| Pressure rating: | 1.6 ~ 2.5MPa |
| Operating temperature: | -29 ~ 150°C |
| End connection: | Flanged |
| Applicable medium: | Water, steam, Oil, Nitric acid liquid |
| Mode of operation: | Manual |
| Applicable industry: | Chemical & Petrochemical, Oil & Gas, Mining & Minerals, Power generation, Water & Water Treatment, Pulp & Paper, Municipal, Heating & Ventilation |
| Design & Manufacture: | API, ASME, ASTM, ANSI, BS, DIN, JIS, ISO, GB |

DESIGN FEATURES

1. Low fluid resistance.
2. The flow direction of the medium is not restricted without disturbed flow and pressure drop.
3. The valve is simple in shape, good in manufacturing process, and wide in the scope of application.
4. As the internal medium channel of the gate valve body is straight, the direction of the flow in the valve will not be changed, which can ensure a low resistance for the medium flow.
5. Easy to open and close. The movement direction of the gate plate is perpendicular to that of the medium flow during valve opening and closing, so the opening and closing of the gate valves are more labor-saving than globe valves.



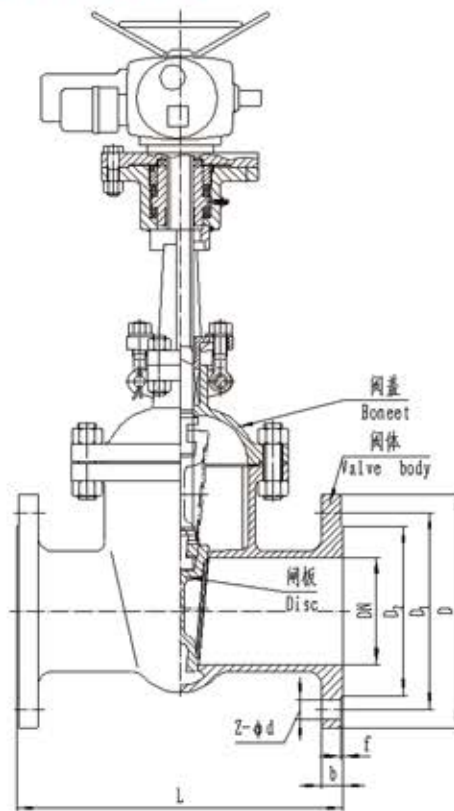
VALVE MATERIAL LIST



(Structure)

| Part name | Material |
|--------------------------------|------------|
| Valve body, gate plate, bonnet | CF8 |
| Valve stem nut | ZCuAl10Fe3 |
| Valve stem | F304 |
| Medium-caliber gasket, packing | PTFE |
| Bolts, nuts | 304 |

TECHNICAL SPECIFICATIONS



| Model | DN (mm) | Size(mm) | | | | | |
|----------|---------|----------|-----|----------------|----------------|------|--------|
| | | L | D | D ₁ | D ₂ | b-f | z-φd |
| Z41W-16P | 40 | 200 | 145 | 110 | 85 | 16-2 | 4-φ18 |
| | 50 | 250 | 160 | 125 | 100 | 16-2 | 4-φ18 |
| | 65 | 270 | 180 | 145 | 120 | 18-2 | 4-φ18 |
| | 80 | 280 | 195 | 160 | 135 | 20-2 | 8-φ18 |
| | 100 | 300 | 215 | 180 | 155 | 20-2 | 8-φ18 |
| | 125 | 325 | 245 | 210 | 185 | 22-2 | 8-φ18 |
| | 150 | 350 | 280 | 240 | 210 | 24-2 | 8-φ23 |
| | 200 | 400 | 335 | 295 | 265 | 26-2 | 12-φ23 |
| | 250 | 450 | 405 | 355 | 320 | 26-2 | 12-φ26 |
| | 300 | 500 | 460 | 410 | 370 | 28-2 | 12-φ26 |
| | 350 | 550 | 520 | 470 | 429 | 30-2 | 16-φ26 |
| | 400 | 600 | 580 | 525 | 480 | 32-2 | 16-φ30 |

| Model | DN (mm) | Size(mm) | | | | | |
|----------|---------|----------|-----|----------------|----------------|------|---------|
| | | L | D | D ₁ | D ₂ | b-f | z-φ d |
| Z41W-25P | 40 | 200 | 145 | 110 | 85 | 18-2 | 4-φ 18 |
| | 50 | 250 | 160 | 125 | 100 | 20-2 | 4-φ 18 |
| | 65 | 270 | 180 | 145 | 120 | 22-2 | 8-φ 18 |
| | 80 | 280 | 195 | 160 | 135 | 22-2 | 8-φ 18 |
| | 100 | 300 | 230 | 190 | 160 | 24-2 | 8-φ 23 |
| | 125 | 325 | 270 | 220 | 188 | 28-2 | 8-φ 26 |
| | 150 | 350 | 300 | 250 | 218 | 30-2 | 8-φ 26 |
| | 200 | 400 | 360 | 310 | 278 | 34-2 | 12-φ 26 |
| | 250 | 450 | 425 | 370 | 332 | 32-2 | 12-φ 30 |
| | 300 | 500 | 485 | 430 | 389 | 34-2 | 16-φ 30 |
| | 350 | 550 | 550 | 490 | 448 | 38-2 | 16-φ 34 |
| | 400 | 600 | 610 | 550 | 503 | 40-2 | 16-φ 34 |