

Electric cast steel floating ball valve

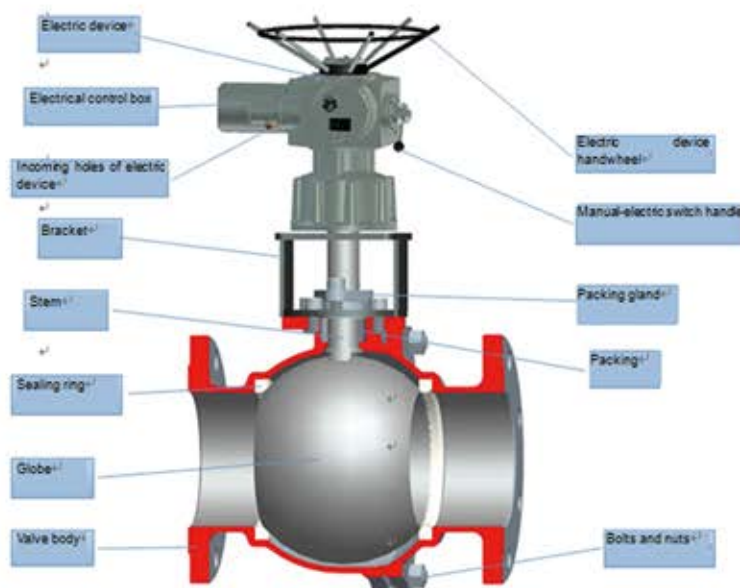


PRODUCT OVERVIEW

Body material:	WCB
Size range:	DN15 ~ 200
Pressure rating:	1.6 ~ 2.5MPa
Operating temperature:	-29 ~ 150°C
End connection:	Flanged
Applicable medium:	Water, Oil, Steam
Mode of operation:	Electric
Applicable industry:	Chemical & Petrochemical, Oil & Gas, Mining & Minerals, Power generation, Water & Water Treatment, Pulp & Paper, Municipal, Heating & Ventilation
Design & Manufacture:	API, ASME, ASTM, ANSI, BS, DIN, JIS, ISO, GB

DESIGN FEATURES

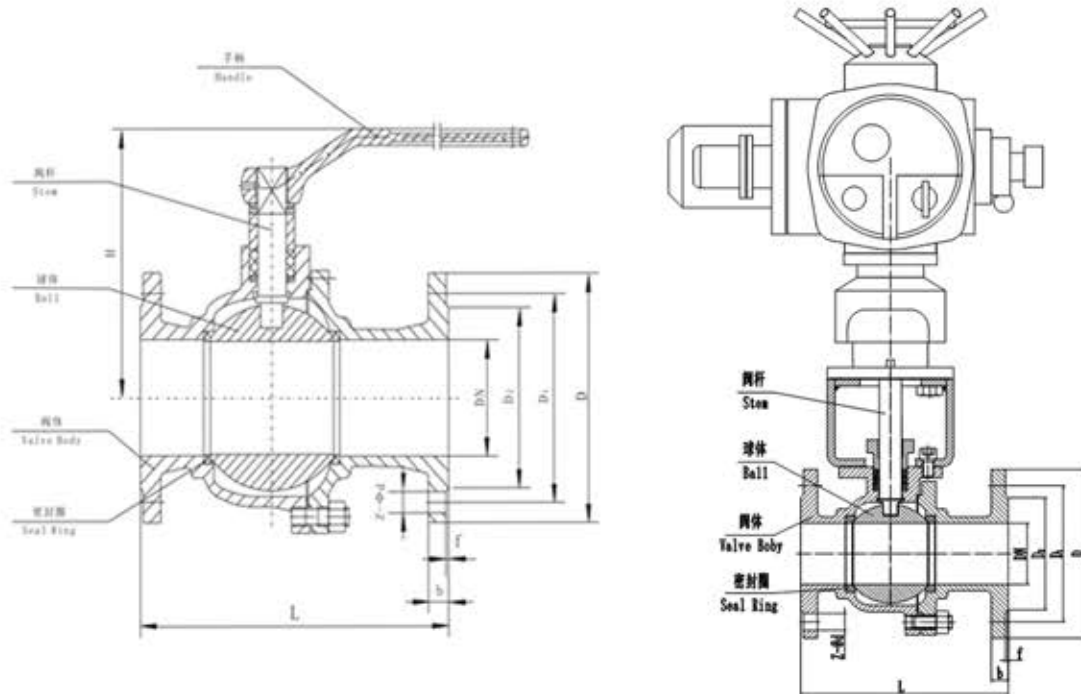
1. This valve is composed of a valve body, a globe, a valve stem, a bracket and other parts.
2. In electric operation, the valve stem rotates 90° to drive the globe to rotate 90° for opening or closing.



VALVE MATERIAL LIST

Part name	Material
Valve body	WCB
Stem	2Cr13
Globe	201
Sealing ring, packing	PTFE

TECHNICAL SPECIFICATIONS



Model	DN (mm)	Size(mm)					
		L	D	D ₁	D ₂	b-f	z-φd
Q41F-16C	15	130	95	65	45	14-2	4-φ14
	20	140	105	75	56	14-2	4-φ14
	25	150	115	85	65	14-2	4-φ14
	32	165	140	100	76	16-2	4-φ18
	40	180	150	110	84	16-2	4-φ18
	50	200	165	125	99	16-2	4-φ18
	65	221	185	145	118	18-2	4-φ18
	80	241	200	160	132	20-2	8-φ18
	100	280	220	180	156	20-2	8-φ18
	125	320	250	210	184	22-2	8-φ18
	150	360	285	240	211	24-2	8-φ22
	200	400	340	295	266	26-2	12-φ22
250	533	405	355	319	30-2	12-φ26	

Model	DN (mm)	Size(mm)					
		L	D	D ₁	D ₂	b-f	z-φd
Q41F-25	15	130	95	65	46	16-2	4-φ14
	20	140	105	75	56	16-2	4-φ14
	25	150	115	85	65	16-2	4-φ14
	32	165	140	100	76	18-2	4-φ18
	40	180	150	110	84	18-2	4-φ18
	50	200	165	125	99	20-2	4-φ18
	65	221	185	145	118	22-2	8-φ18
	80	241	200	160	132	22-2	8-φ18
	100	280	235	190	156	24-2	8-φ22
	125	320	270	220	184	28-2	8-φ26
	150	360	300	250	211	30-2	8-φ26
	200	400	360	310	274	34-2	12-φ26
	250	533	425	370	330	36-2	12-φ30