

Cast steel three-eccentric PTFE soft-sealing butterfly valve



PRODUCT OVERVIEW

Body material:	WCB
Size range:	DN50 ~ 2000
Pressure rating:	0.6 ~ 2.5MPa
Operating temperature:	-29 ~ 150°C
End connection:	Flanged
Applicable medium:	Water, Steam, Oil
Mode of operation:	Manual
Applicable industry:	Chemical & Petrochemical, Oil & Gas, Mining & Minerals, Power generation, Water & Water Treatment, Pulp & Paper, Municipal, Heating & Ventilation
Design & Manufacture:	API, ASME, ASTM, ANSI, BS, DIN, JIS, ISO, GB

DESIGN FEATURES

1. This valve is driven by a worm gear, connected by flange, comply with JB/T 8527 design standard, and utilizes triple eccentric structure. The rotation axis of the disc plate (the stem axis) forms an offset distance from the sealing surface and an angle with the axis of the flow channel of the valve body. This valve consists of a valve body, a disc plate, a valve stem, a disc plate sealing ring, a disc plate pressing ring, a bracket, an end cover and other parts.

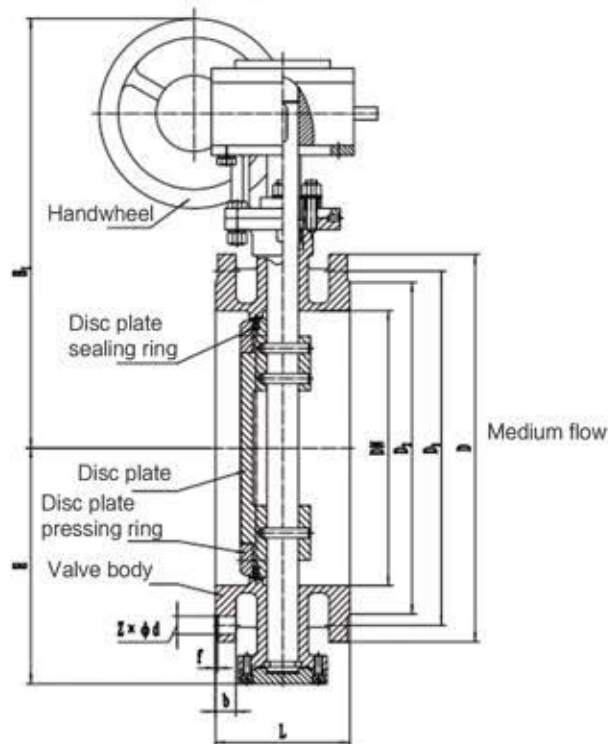
2. The valve is operated by driving the worm Gear, rotate the valve stem 90° to drive the disc plate to rotate 90°, thus to realize the opening or closing. Because the product utilizes triple eccentric structure, it can create cam effect during the opening and closing process, which decreases the valve switching torque, reduces the wear between the valve seat and the disc plate, and prolongs the service life of the valve.

VALVE MATERIAL LIST

Part name	Material
Valve body, bracket, packing gland	WCB
Valve shaft	2Cr13
Sealing ring	PTFE
Disc plate	Q235/WCB
Packing	Flexible graphite



TECHNICAL SPECIFICATIONS



Model	DN (mm)	Size(mm)							
		L	H	H ₁	D	D ₁	D ₂	b-f	z* φ d
D343F-6C	50	108	83	290	140	110	90	18-2	4* φ 14
	65	112	93	300	160	130	110	18-2	4* φ 14
	80	114	100	340	190	150	128	20-2	4* φ 18
	100	127	110	340	210	170	148	20-2	4* φ 18
	125	140	114	400	240	200	178	22-2	8* φ 18
	150	140	155	420	265	225	202	22-2	8* φ 18
	200	152	182	480	320	280	258	24-2	8* φ 18
	250	165	217	530	375	335	312	26-2	12* φ 18
	300	178	245	580	440	395	365	26-2	12* φ 22
	350	190	275	660	490	445	415	26-2	12* φ 22
	400	216	360	720	540	495	465	26-2	16* φ 22
	450	222	386	750	595	550	520	28-2	16* φ 22
	500	229	423	780	645	600	570	28-2	20* φ 22
600	267	499	990	755	705	670	34-2	20* φ 26	

Model	DN (mm)	Size(mm)							
		L	H	H ₁	D	D ₁	D ₂	b-f	z* φ d
D343F-6C	700	292	536	1050	860	810	775	34-2	24* φ 26
	800	318	649	1160	975	920	880	36-2	24* φ 30
	900	330	662	1200	1075	1020	980	38-2	24* φ 30
	1000	410	728	1270	1175	1120	1080	38-2	28* φ 30
	1200	470	800	1500	1405	1340	1295	44-2	32* φ 33
	1400	530	910	1700	1630	1560	1510	48-2	36* φ 36
	1600	600	1047	1900	1830	1760	1710	52-2	40* φ 36
	1800	670	1152	2100	2045	1970	1920	56-2	44* φ 39

Model	DN (mm)	Size(mm)							
		L	H	H ₁	D	D ₁	D ₂	b-f	z* φ d
D343F-10C	50	108	83	290	165	125	102	18-2	4* φ 18
	65	112	93	300	185	145	122	18-2	8* φ 18
	80	114	100	340	200	160	138	20-2	8* φ 18
	100	127	110	340	220	180	158	20-2	8* φ 18
	125	140	114	400	250	210	188	22-2	8* φ 18
	150	140	155	420	285	240	212	22-2	8* φ 22
	200	152	182	480	340	295	268	24-2	8* φ 22
	250	165	217	530	395	350	320	26-2	12* φ 22
	300	178	245	580	445	400	370	26-2	12* φ 22
	350	190	275	660	505	460	430	26-2	16* φ 22
	400	216	360	720	565	515	482	26-2	16* φ 26
	450	222	386	750	615	565	532	28-2	20* φ 26
	500	229	423	780	670	620	585	28-2	20* φ 26
	600	267	499	990	780	725	685	34-2	20* φ 30
	700	292	536	1050	898	840	800	34-2	24* φ 30
	800	318	619	1160	1015	950	905	36-2	24* φ 33

Model	DN (mm)	Size(mm)							
		L	H	H ₁	D	D ₁	D ₂	b-f	z* φ d
D343F-10C	900	330	662	1200	1115	1050	1005	38-2	28* φ 33
	1000	410	728	1270	1230	1160	1110	38-2	28* φ 36
	1200	470	800	1500	1455	1380	1330	44-2	32* φ 39
	1400	530	910	1700	1675	1590	1535	48-2	36* φ 42
	1600	600	1047	1900	1915	1820	1760	52-2	40* φ 48
	1800	670	1152	2100	2115	2020	1960	56-2	44* φ 48
	2000	760	1275	2300	2325	2230	2170	60-2	44* φ 48

Model	DN (mm)	Size(mm)							
		L	H	H ₁	D	D ₁	D ₂	b-f	z* φ d
D343F-16C	50	108	83	290	165	125	102	18-2	4* φ 18
	65	112	93	300	185	145	122	18-2	8* φ 18
	80	114	100	340	200	160	138	20-2	8* φ 18
	100	127	110	340	220	180	158	20-2	8* φ 18
	125	140	114	400	250	210	188	22-2	8* φ 18
	150	140	155	420	285	240	212	22-2	8* φ 22
	200	152	182	480	340	295	268	24-2	12* φ 22
	250	165	217	530	405	355	320	26-2	12* φ 26
	300	178	245	580	460	410	378	28-2	12* φ 26
	350	190	275	660	520	470	428	30-2	16* φ 26
	400	216	360	720	580	525	490	32-2	16* φ 30
	450	222	386	750	640	585	550	34-2	20* φ 30
	500	229	423	780	715	650	610	36-2	20* φ 33
	600	267	499	990	840	770	725	38-2	20* φ 36
	700	292	536	1050	910	840	795	40-2	24* φ 36
	800	318	619	1160	1025	950	900	42-2	24* φ 39
	900	330	662	1200	1125	1050	1000	44-2	28* φ 39
1000	410	728	1270	1255	1170	1115	46-2	28* φ 42	

Model	DN (mm)	Size(mm)							
		L	H	H ₁	D	D ₁	D ₂	b-f	z* φ d
D343F-16C	1200	470	800	1500	1485	1390	1330	52-2	32* φ 48
	1400	530	910	1700	1685	1590	1530	58-2	36* φ 48
	1600	600	1047	1900	1930	1820	1750	64-2	40* φ 55
	1800	670	1152	2100	2130	2020	1950	68-2	44* φ 55
	2000	760	1257	2300	2345	2230	2150	70-2	48* φ 62

Model	DN (mm)	Size(mm)							
		L	H	H ₁	D	D ₁	D ₂	b-f	z* φ d
D343F-25C	50	108	83	290	165	125	102	20-2	4* φ 18
	65	112	93	300	185	145	122	22-2	8* φ 18
	80	114	100	340	200	160	138	24-2	8* φ 18
	100	127	110	340	235	190	162	24-2	8* φ 22
	125	140	114	400	270	220	188	26-2	8* φ 26
	150	140	155	420	300	250	218	28-2	8* φ 26
	200	152	182	480	360	310	278	30-2	12* φ 26
	250	165	217	530	425	370	335	32-2	12* φ 30
	300	178	245	580	485	430	395	34-2	16* φ 30
	350	190	275	660	555	490	450	38-2	16* φ 33
	400	216	360	720	620	550	505	40-2	16* φ 36
	450	222	386	750	670	600	555	46-2	20* φ 36
	500	229	423	780	730	660	615	48-2	20* φ 36
	600	267	499	990	845	770	720	48-2	20* φ 39
	700	292	536	1050	960	875	820	50-2	24* φ 42
	800	318	619	1160	1085	990	930	54-2	24* φ 48
	900	330	662	1200	1185	1090	1030	58-2	28* φ 48
	1000	410	728	1270	1320	1210	1140	62-2	28* φ 55
1200	470	800	1500	1530	1420	1350	70-2	32* φ 55	