

# Cast steel three-eccentric NBR soft-sealing butterfly valve



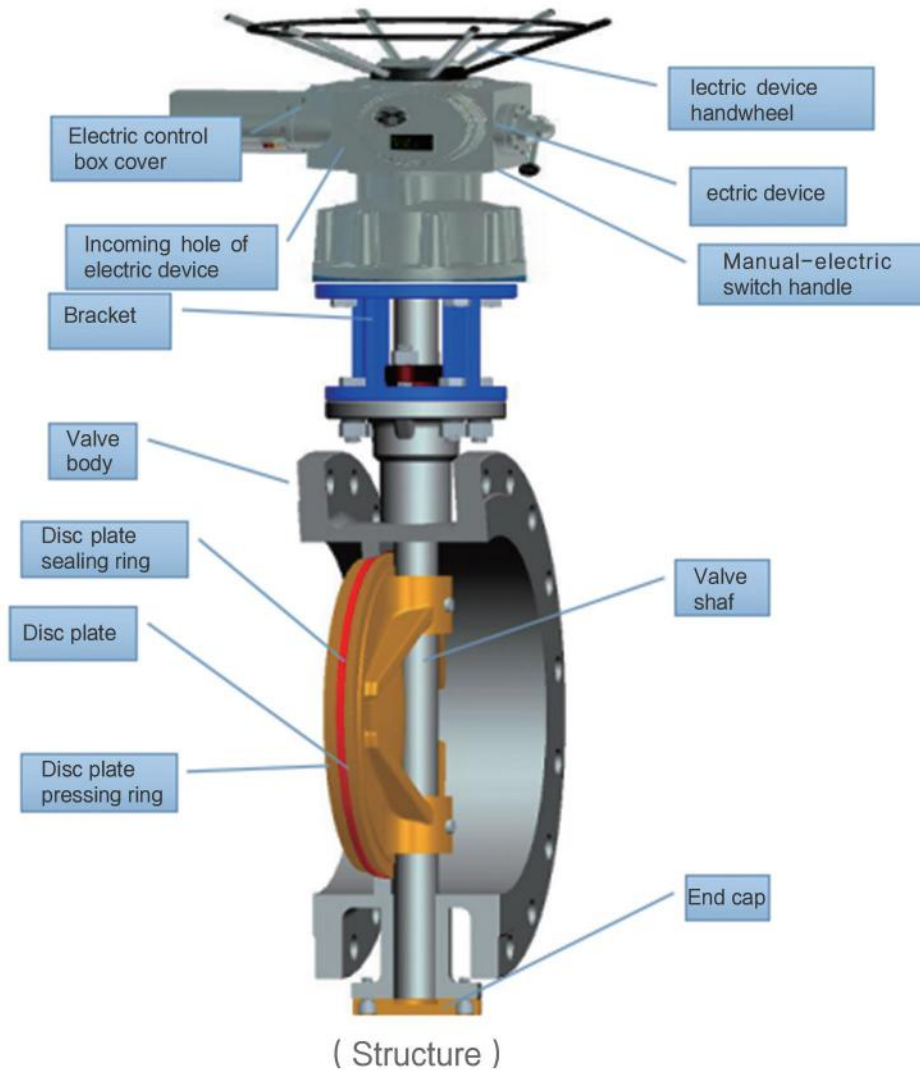
## PRODUCT OVERVIEW

Body material:	WCB
Size range:	DN50 ~ 1000
Pressure rating:	1.0 ~ 1.6MPa
Operating temperature:	-10 ~ 80°C
End connection:	Flanged
Applicable medium:	Water, Oil
Mode of operation:	Manual, Electric
Applicable industry:	Chemical & Petrochemical, Oil & Gas, Mining & Minerals, Power generation, Water & Water Treatment, Pulp & Paper, Municipal, Heating & Ventilation
Design & Manufacture:	API, ASME, ASTM, ANSI, BS, DIN, JIS, ISO, GB

## DESIGN FEATURES

1. The valve utilizes triple eccentric structure, and has reliable sealing performance, the performance of sealing will be improved when the valve is firmly closed.
2. The disc plate sealing ring is made of nitrile rubber, which is resistant to medium corrosion, erosion and maintenance-free, and has a long service life.
3. The sealing surface of the valve body is processed by the surfacing technology of stainless steel material, which is resistant to medium corrosion, erosion and maintenance-free, and has a long service life.
4. The disc plate has high strength, large flow area and low flow resistance.
5. The valve shaft is sealed with flexible graphite packing. The higher the medium pressure, the better the sealing. After the packing is worn out, it can be compensated by pressing the packing gland.



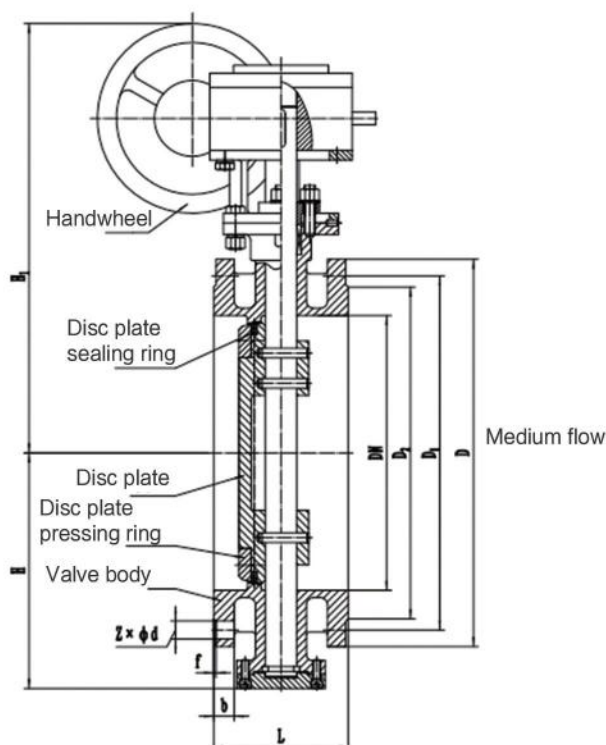


## VALVE MATERIAL LIST

Part name	Material
Valve body, bracket, packing gland	WCB
Valve shaft	Stainless steel 2Cr13
Disc plate	Q235/WCB
Disc plate sealing ring	Nitrile rubber
Disc plate, end cover, disc plate pressing ring	Q235



## TECHNICAL SPECIFICATIONS



Model	DN (mm)	Size(mm)							
		L	D	D <sub>1</sub>	D <sub>z</sub>	H <sub>1</sub>	H <sub>2</sub>	b-f	z-φd
D9/343X-10C	50	108	165	125	99	83	236	20-2	4-φ18
	65	112	185	145	118	93	246	20-2	8-φ18
	80	114	200	160	132	100	257	20-2	8-φ18
	100	127	220	180	156	110	260	22-2	8-φ18
	125	140	250	210	184	125	303	22-2	8-φ18
	150	140	280	240	211	155	312	24-2	8-φ22
	200	152	340	295	266	182	355	24-2	8-φ22
	250	165	395	350	319	217	393	26-2	12-φ22
	300	178	445	400	370	245	441	26-2	12-φ22
	350	190	505	460	429	275	497	26-2	16-φ22
	400	216	565	515	480	355	547	26-2	16-φ26
	450	222	615	565	530	389	573	28-2	20-φ26
	500	229	670	620	582	423	609	28-2	20-φ26
	600	267	780	725	682	499	706	34-2	20-φ30

Model	DN (mm)	Size(mm)							
		L	D	D <sub>1</sub>	D <sub>z</sub>	H <sub>1</sub>	H <sub>2</sub>	b-f	z-φ d
D9/343X-10C	700	292	895	840	794	536	752	34-5	24-φ 30
	800	318	1015	950	901	619	855	36-5	24-φ 33
	900	330	1115	1050	1001	615	919	38-5	28-φ 33
	1000	410	1230	1160	1112	684	993.5	38-5	28-φ 36

Model	DN (mm)	Size(mm)							
		L	D	D <sub>1</sub>	D <sub>z</sub>	H <sub>1</sub>	H <sub>2</sub>	b-f	z-φ d
D9/343X-16C	50	108	165	125	99	83	236	20-2	4-φ 18
	65	112	185	145	118	93	246	20-2	8-φ 18
	80	114	200	160	132	100	257	20-2	8-φ 18
	100	127	220	180	156	110	260	22-2	8-φ 18
	125	140	250	210	184	125	303	22-2	8-φ 18
	150	140	285	240	211	155	312	24-2	8-φ 22
	200	152	335	295	266	182	355	24-2	12-φ 22
	250	165	405	355	319	217	393	26-2	12-φ 26
	300	178	460	410	370	245	441	26-2	12-φ 26
	350	190	520	470	429	275	497	28-2	16-φ 26
	400	216	580	525	480	359	547	30-2	16-φ 30
	450	222	640	585	548	390	573	32-2	20-φ 30
	500	229	715	650	610	424	609	34-2	20-φ 33
	600	267	840	770	720	499	706	36-2	20-φ 36
	700	292	910	840	794	536	752	40-2	24-φ 36
	800	318	1025	950	900	619	855	42-2	24-φ 39
	900	330	1125	1050	1001	615	919	44-2	28-φ 39
1000	410	1255	1170	1112	684	994	46-2	28-φ 42	