

# Cast steel swing check valve

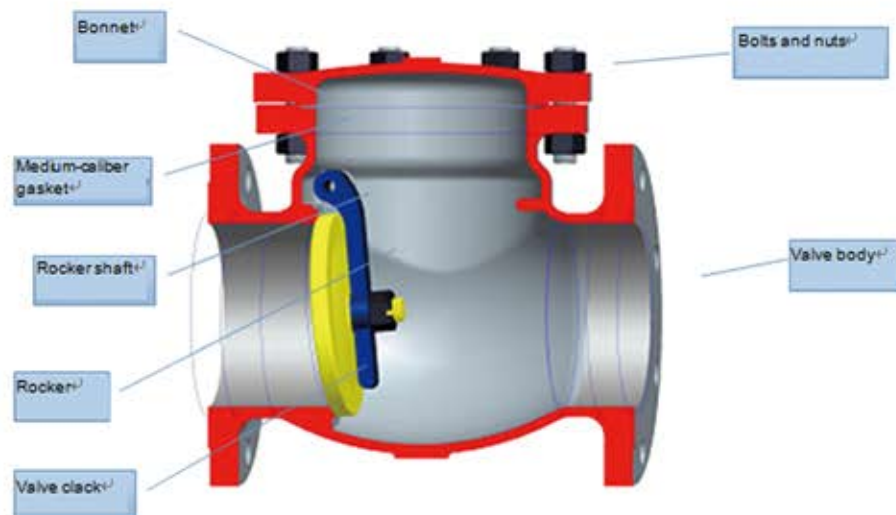


## PRODUCT OVERVIEW

Body material:	WCB
Size range:	DN40 ~ 200
Pressure rating:	1.6 ~ 2.5MPa
Operating temperature:	-29 ~ 425°C
End connection:	Flanged
Applicable medium:	Water, Sewage, Steam, Oil
Mode of operation:	/
Applicable industry:	Chemical & Petrochemical, Oil & Gas, Mining & Minerals, Power generation, Water & Water Treatment, Pulp & Paper, Municipal, Heating & Ventilation
Design & Manufacture:	API, ASME, ASTM, ANSI, BS, DIN, JIS, ISO, GB

## DESIGN FEATURES

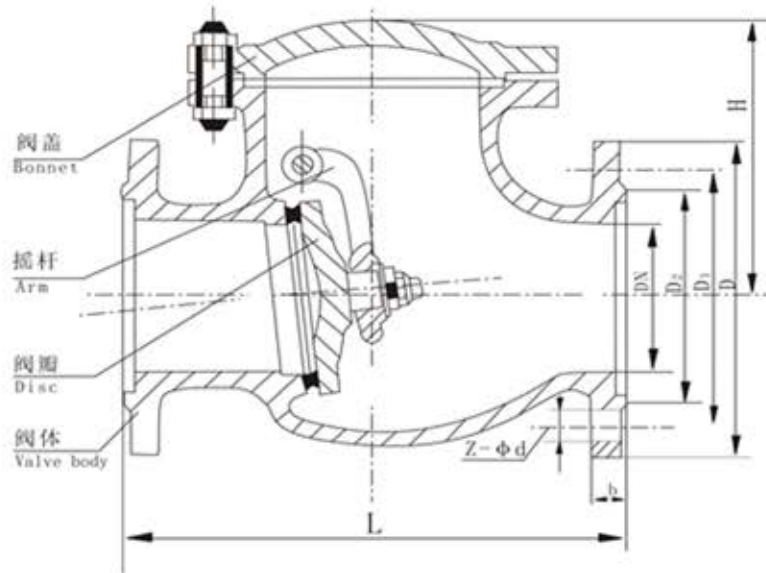
This valve is composed of a valve body, a bonnet, a valve clack, a rocker and rocker shaft, etc. The valve clack can automatically prevent the fluid from flowing back. The valve clack of this valve opens under the action of fluid pressure, and the fluid flows from the inlet to the outlet. When the inlet pressure is lower than the outlet pressure, the valve clack closes automatically under the action of the fluid pressure difference, gravity and other factors to prevent the medium from flowing back.



## VALVE MATERIAL LIST

Part name	Part material
Valve body, bonnet	WCB
Valve clack	WCB+2Cr13
Rocker	Q235
Rocker shaft	Carbon steel, stainless steel

## TECHNICAL SPECIFICATIONS



Model	DN (mm)	Size(mm)						
		L	D	D <sub>1</sub>	D <sub>2</sub>	b-f	z-φd	H
H44H-16C	40	200	145	110	85	16-2	4-φ18	126
	50	230	160	125	100	16-2	4-φ18	132
	65	290	180	145	120	18-2	4-φ18	151
	80	310	195	160	129	20-2	8-φ18	164
	100	350	215	180	155	20-2	8-φ18	185
	125	400	245	210	185	22-2	8-φ18	202
	150	480	280	240	210	24-2	8-φ23	223
	200	550	340	295	266	24-2	12-φ23	350
	250	650	405	355	319	26-2	12-φ26	331
300	750	460	410	370	28-2	12-φ26	432	

Model	DN (mm)	Size(mm)						
		L	D	D <sub>1</sub>	D <sub>2</sub>	b-f	z-φd	H
H44H-25	40	200	145	110	85	18-2	4-φ18	126
	50	230	160	125	100	20-2	4-φ18	132
	65	290	180	145	120	22-2	8-φ18	151
	80	310	195	160	135	24-2	8-φ18	164
	100	350	230	190	160	24-2	8-φ22	185
	125	400	270	220	188	26-2	8-φ26	202
	150	480	300	250	218	28-2	8-φ26	223
	200	550	360	310	278	30-2	12-φ26	350
	250	650	425	370	330	32-2	12-φ30	331
	300	750	485	430	389	34-2	16-φ30	432

Model	DN (mm)	Size(mm)						
		L	D	D <sub>1</sub>	D <sub>2</sub>	b-f	z-φd	H
H44H-40	40	200	145	110	85	18-2	4-φ18	126
	50	230	160	125	100	20-2	4-φ18	132
	65	290	180	145	120	22-2	8-φ18	151
	80	310	195	160	135	24-2	8-φ18	164
	100	350	230	190	160	24-2	8-φ22	185
	125	400	270	220	188	26-2	8-φ26	202
	150	480	300	250	218	28-2	8-φ26	223
	200	550	360	310	278	30-2	12-φ26	350