

Cast steel lift check valve

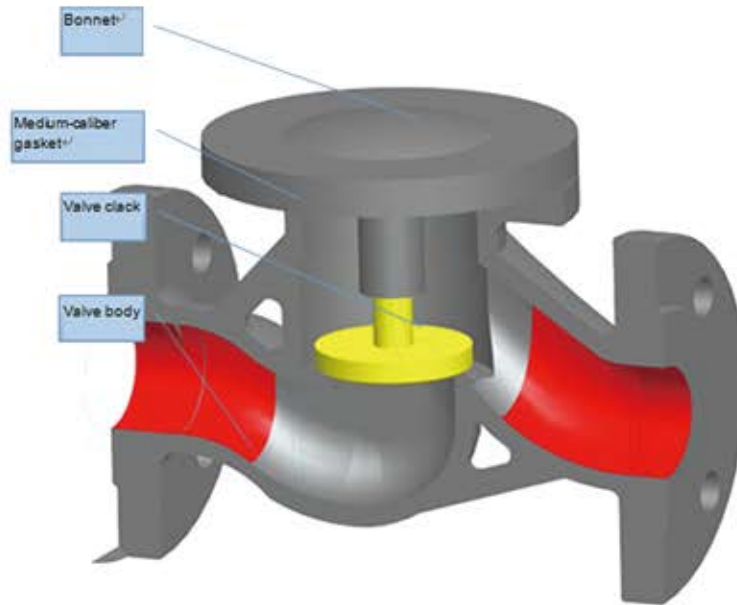


PRODUCT OVERVIEW

Body material:	WCB
Size range:	DN15 ~ 300
Pressure rating:	1.6 ~ 2.5MPa
Operating temperature:	-29 ~ 425°C
End connection:	Flanged
Applicable medium:	Water, Sewage, Steam, Oil
Mode of operation:	/
Applicable industry:	Chemical & Petrochemical, Oil & Gas, Mining & Minerals, Power generation, Water & Water Treatment, Pulp & Paper, Municipal, Heating & Ventilation
Design & Manufacture:	API, ASME, ASTM, ANSI, BS, DIN, JIS, ISO, GB

DESIGN FEATURES

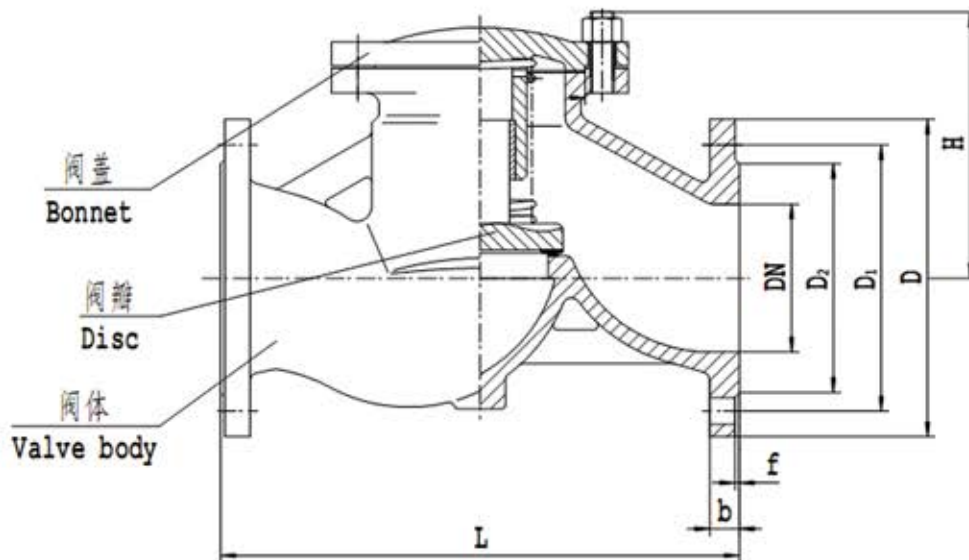
This valve is composed of a valve body, a bonnet, a valve clack and other parts. The valve clack can automatically prevent the fluid from flowing back. The valve clack of this valve opens under the action of fluid pressure, and the fluid flows from the inlet to the outlet. When the inlet pressure is lower than the outlet pressure, the valve clack closes automatically under the action of the fluid pressure difference, gravity and other factors to prevent the medium from flowing back.



VALVE MATERIAL LIST

Part name	Part material
Valve body, bonnet	WCB
Valve clack	WCB+2Cr13

TECHNICAL SPECIFICATIONS



Model	DN (mm)	Size(mm)						
		L	D	D ₁	D ₂	b-f	z-φd	H
H41H-16C	15	130	95	65	46	14-2	4-φ14	77
	20	150	105	75	56	16-2	4-φ14	77
	25	160	115	85	65	16-2	4-φ14	80
	32	180	140	100	76	18-2	4-φ18	85
	40	200	150	110	84	18-2	4-φ18	95
	50	230	165	125	99	20-2	4-φ18	105
	65	290	180	145	118	20-2	4-φ18	120
	80	310	200	160	132	20-2	8-φ18	158
	100	350	220	180	156	22-2	8-φ18	180
	125	400	250	210	184	22-2	8-φ18	205
	150	480	285	240	211	24-2	8-φ23	223
	200	600	335	295	265	26-2	12-φ23	272
	250	622	405	355	320	30-2	12-φ25	316
300	698	460	410	375	30-2	12-φ25	392	

Model	DN (mm)	Size(mm)						
		L	D	D ₁	D ₂	b-f	z-φ d	H
H41H-25	15	130	95	65	46	14-2	4-φ 14	77
	20	150	105	75	56	16-2	4-φ 14	80
	25	160	115	85	65	16-2	4-φ 14	80
	32	180	140	100	76	18-2	4-φ 18	120
	40	200	150	110	84	18-2	4-φ 18	125
	50	230	165	125	99	20-2	4-φ 18	132
	65	290	185	145	118	22-2	4-φ 18	151
	80	310	200	160	132	24-2	8-φ 18	170
	100	350	235	190	156	24-2	8-φ 22	195
	125	400	270	220	184	26-2	8-φ 26	222
	150	480	300	250	211	28-2	8-φ 26	255
	200	600	360	310	274	30-2	12-φ 26	312
	250	622	425	370	332	36-3	12-φ 30	355
	300	711	485	430	390	40-3	16-φ 30	410