

# Cast steel floating ball valve

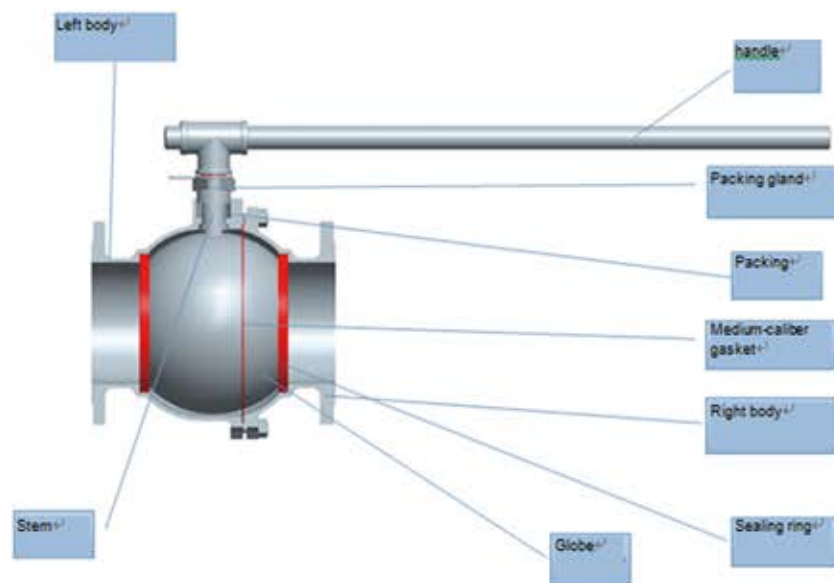


## PRODUCT OVERVIEW

Body material:	WCB
Size range:	DN15 ~ 200
Pressure rating:	1.6 ~ 2.5MPa
Operating temperature:	-29 ~ 150°C
End connection:	Flanged
Applicable medium:	Water, Oil, Steam
Mode of operation:	Manual
Applicable industry:	Chemical & Petrochemical, Oil & Gas, Mining & Minerals, Power generation, Water & Water Treatment, Pulp & Paper, Municipal, Heating & Ventilation
Design & Manufacture:	API, ASME, ASTM, ANSI, BS, DIN, JIS, ISO, GB

## DESIGN FEATURES

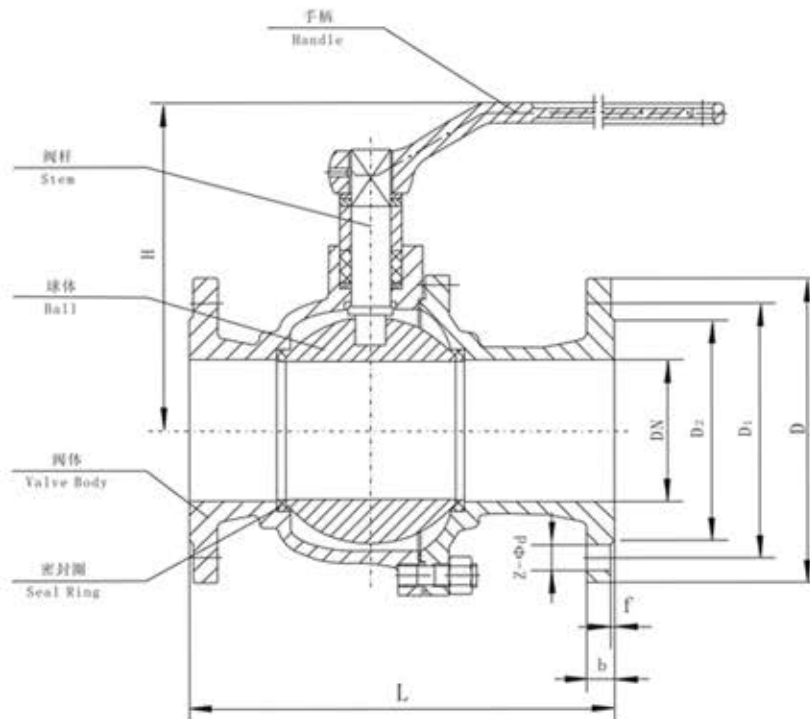
The valve is composed of a valve body, a globe, a valve stem, a handle and other parts. By turning the handle, the valve stem rotates 90° to drives the globe to rotate 90° for opening and closing.



## VALVE MATERIAL LIST

Part name	Material
Valve body	WCB
Stem, globe	2Cr13
Sealing ring, packing	PTFE

## TECHNICAL SPECIFICATIONS



Model	DN (mm)	Size(mm)						
		L	D	D <sub>1</sub>	D <sub>2</sub>	b-f	z-φd	H
Q641F-16C	40	180	150	110	84	18-2	4-φ18	133
	50	200	165	125	99	20-2	4-φ18	140
	65	220	185	145	118	20-2	8-φ18	155
	80	241	200	160	132	20-2	8-φ18	182
	100	280	220	180	156	22-2	8-φ18	208
	125	320	250	210	184	22-2	8-φ18	249
	150	360	285	240	211	24-2	8-φ22	277
	200	400	340	295	266	24-2	12-φ22	328

Model	DN (mm)	Size(mm)						
		L	D	D <sub>1</sub>	D <sub>2</sub>	b-f	z-φd	H
Q641F-16C	40	180	150	110	84	18-2	4-φ18	133
	50	200	165	125	99	20-2	4-φ18	140
	65	220	185	145	118	22-2	8-φ18	155
	80	241	200	160	132	22-2	8-φ18	182
	100	280	235	190	156	24-2	8-φ22	208
	125	320	270	220	184	26-2	8-φ26	249
	150	360	300	250	211	28-2	8-φ26	277
	200	400	375	320	284	30-2	12-φ26	328