

Cast steel flanged gate valve

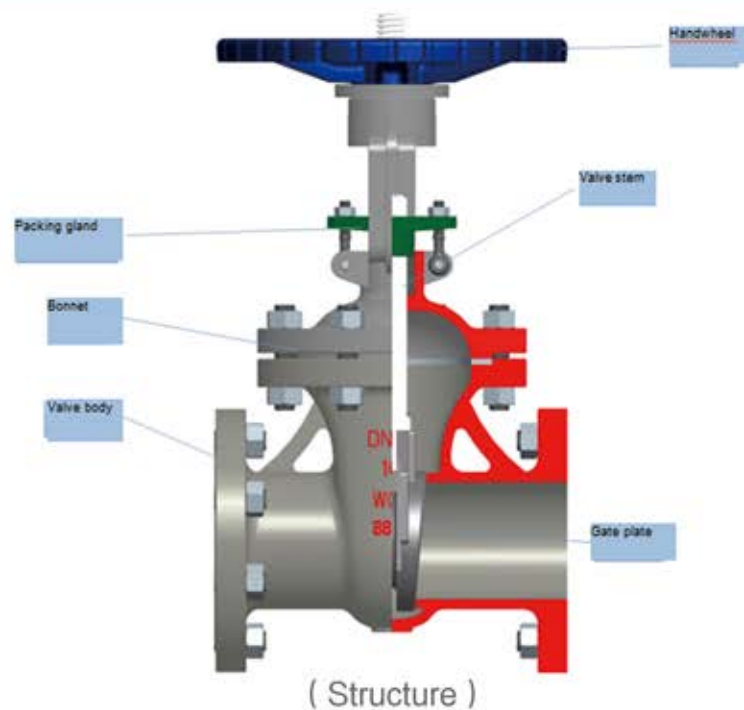


PRODUCT OVERVIEW

Body material:	WCB
Size range:	DN40 ~ 600
Pressure rating:	1.6 ~ 2.5Mpa
Operating temperature:	-29 ~ 425°C
End connection:	Flanged
Applicable medium:	Water , Steam, Oil
Mode of operation:	Manual
Applicable industry:	Chemical & Petrochemical, Oil & Gas, Mining & Minerals, Power generation, Water & Water Treatment, Pulp & Paper, Municipal, Heating & Ventilation
Design & Manufacture:	API, ASME, ASTM, ANSI, BS, DIN, JIS, ISO, GB

DESIGN FEATURES

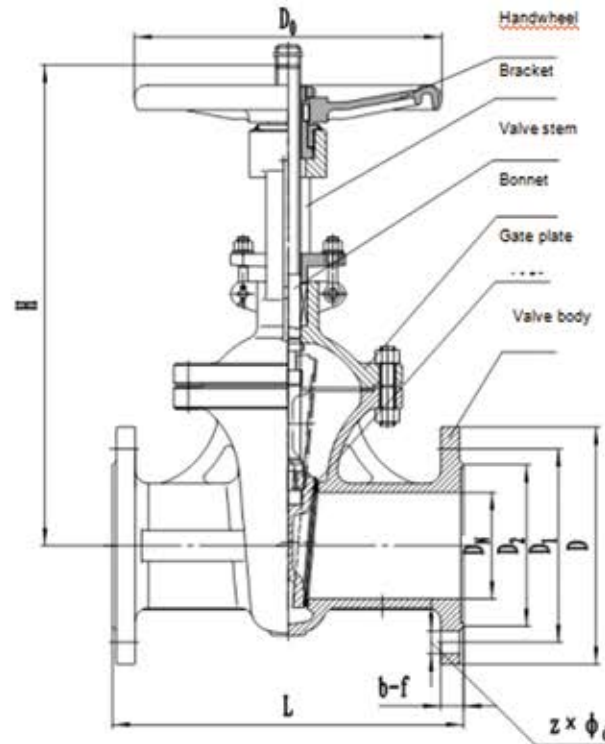
1. This is a flange valve, and implements the standard GB/T 12234. This valve is mainly composed of a valve body, a gate plate, a valve stem, a bonnet and a hand wheel.
2. The valve stem moves up and down by turning the hand wheel, thereby driving the gate plate to rise or fall and make a linear displacement perpendicular to the fluid, so as to realize the function of opening and closing.



VALVE MATERIAL LIST

Part name	Material
Valve body, bonnet	WCB
gate plate	WCB
Valve stem	2Cr13
Stem nut	ZCuAl10Fe3

TECHNICAL SPECIFICATIONS



Model	DN (mm)	Size(mm)								
		L	D	D ₁	D ₂	b-f	z-φd	H ₁	H ₂	D ₀
A-Z40H-16C	50	250	165	125	102	18-2	4-φ18	331	401	200
	65	270	185	145	122	18-2	8-φ18	376	455	240
	80	280	200	160	138	20-2	8-φ18	428	530	240
	100	300	220	180	158	20-2	8-φ18	502	623	280
	125	325	250	210	188	22-2	8-φ18	546	702	280
	150	350	285	240	212	22-2	8-φ22	635	820	320
	200	400	340	295	268	24-2	12-φ22	794	1026	360
	250	450	405	355	320	26-2	12-φ26	914	1200	450
	300	500	460	410	378	28-2	12-φ26	1050	1380	500
	350	550	520	470	438	30-2	16-φ26	1177	1543	560
400	600	580	525	490	32-2	16-φ30	1339	1757	560	

Model	DN (mm)	Size(mm)								
		L	D	D ₁	D ₂	b-f	z-φd	H ₁	H ₂	D ₀
A-Z40H-25	50	250	165	125	102	20-2	4-φ18	345	415	240
	65	270	185	145	122	22-2	8-φ18	376	455	240
	80	280	200	160	138	24-2	8-φ18	428	530	240
	100	300	235	190	162	24-2	8-φ22	490	602	280
	125	325	270	220	188	26-2	8-φ26	502	623	280
	150	350	300	250	218	28-2	8-φ26	635	820	320
	200	400	360	310	278	30-2	12-φ26	794	1026	360
	250	450	425	370	335	32-2	12-φ30	914	1210	450
	300	500	485	430	395	34-3	16-φ30	1050	1380	500
	350	550	550	490	450	38-3	16-φ33	1177	1543	560
	400	600	620	550	505	40-3	16-φ36	1339	1757	560