

Cast Iron Lift Check Valve



PRODUCT OVERVIEW

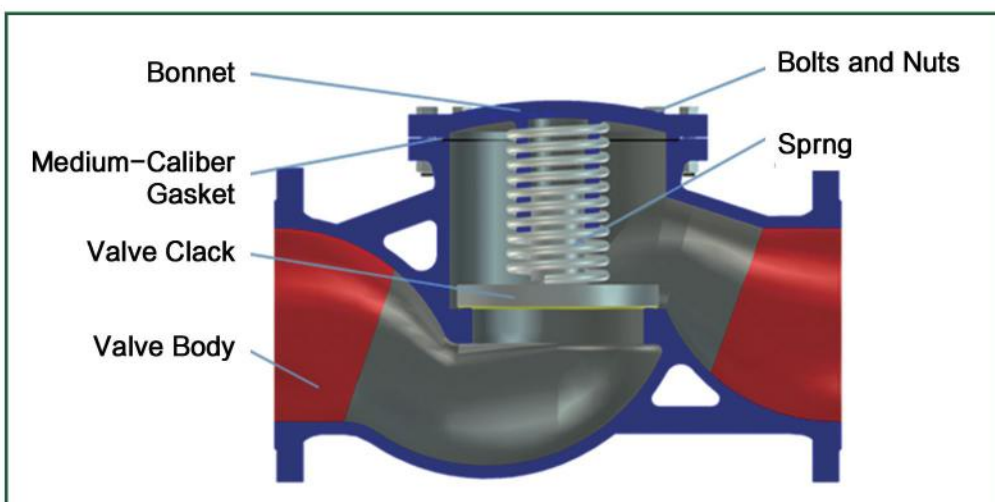
Body material:	Gary cast iron/ Ductile cast iron
Size range:	DN15 ~ 200mm
Pressure rating:	1.6MPa
Operating temperature:	0 ~ 200°C
End connection:	Flanged
Applicable medium:	Water, Sewage, Steam, Oil
Mode of operation:	Manual
Applicable industry:	Water & Water treatment, Power generation, Pulp & Paper, Municipal, Heating & Ventilation
Design & Manufacture:	API, ASME, ASTM, ANSI, BS, DIN, JIS, ISO, GB

DESIGN FEATURES

1. It features reasonable compact structure with small volume. And the valve body has a streamlined and beautiful appearance.
2. The opening and closing torque is small, and the sealing is safe and reliable.
3. It features shape simple, good manufacturing process, and wide scope of application.

VALVE MATERIAL LIST

Part Name	Part Material
Valve body, Bonnet	DN15–65 Gray cast iron/DN80–200 Ductile iron
Valve clack	Gray cast iron, gray cast iron + copper, gray cast iron + stainless steel
Medium-caliber gasket	XB300
Spring	304
Bolts and Nuts	35, 25



TECHNICAL SPECIFICATIONS

Model	DN	L	D	D ₁	D ₂	b-f	z-Φd	H
H41T-16 H41W-16 H41H-16	15	130	95	65	45	14-2	4-Φ14	66
	20	150	105	75	55	16-2	4-Φ14	66
	25	160	115	85	65	16-2	4-Φ14	70
	32	180	135	100	78	18-2	4-Φ18	86
	40	200	145	110	85	18-3	4-Φ18	96
	50	230	160	125	100	20-3	4-Φ18	111
	65	290	180	145	120	20-3	4-Φ18	122
	80	310	195	160	135	22-3	8-Φ18	145
	100	350	215	180	155	24-3	8-Φ18	168
	125	400	245	210	185	26-3	8-Φ18	192
	150	480	280	240	210	28-3	8-Φ23	222
	200	600	335	295	265	30-3	12-Φ23	239

