

Cast Iron Internal Thread Regulating Valve



PRODUCT OVERVIEW

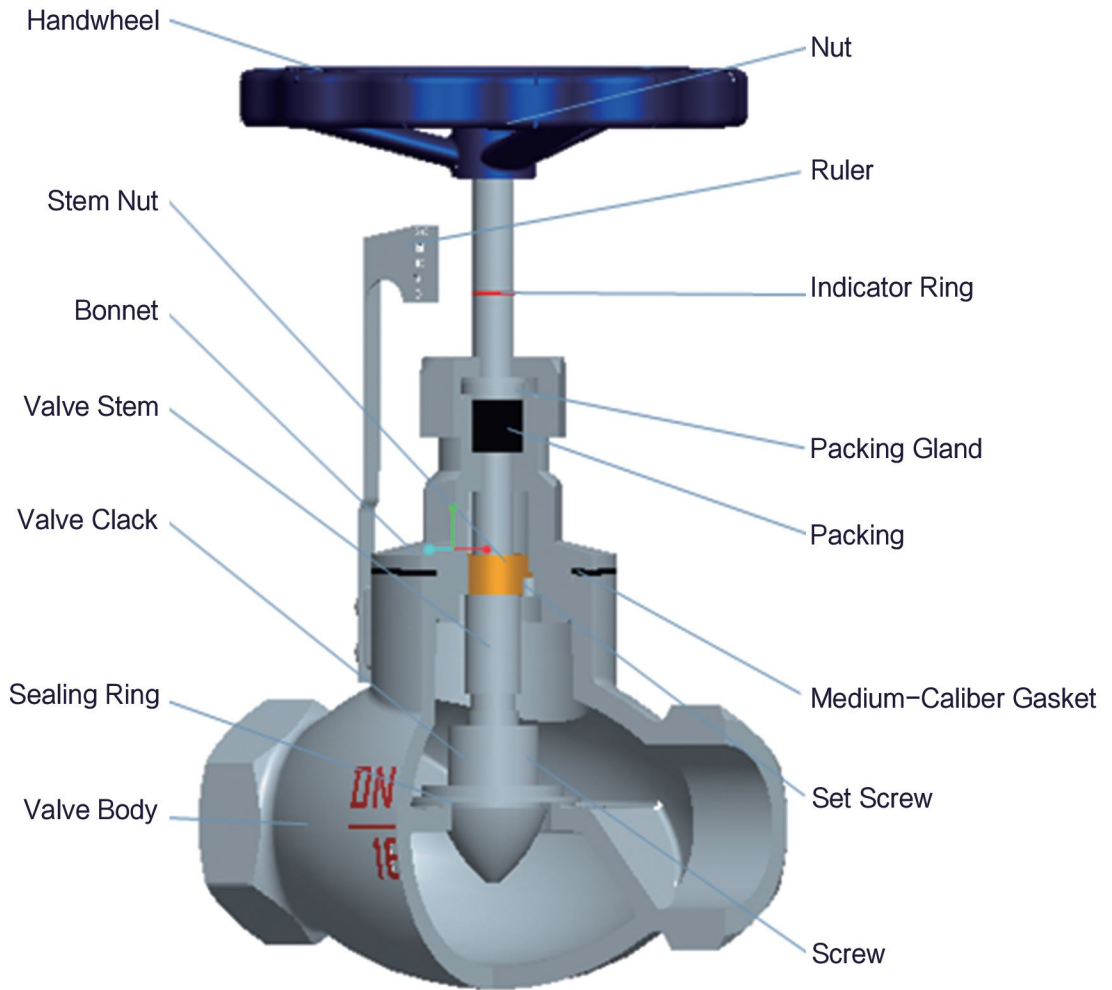
Body material:	Gray cast iron
Size range:	DN15 ~ 50mm
Pressure rating:	1.6MPa
Operating temperature:	0 ~ 120°C
End connection:	Threaded
Applicable medium:	Water, Sewage, Oil
Mode of operation:	Manual
Applicable industry:	Water & Water Treatment, Power Generation, Pulp & Paper, Municipal
Design & Manufacture:	API, ASME, ASTM, ANSI, BS, DIN, JIS, ISO, GB

DESIGN FEATURES

1. The structure is reasonable and compact, and the volume is small. The valve body is barrel-shaped or streamlined, and it looks beautiful;
2. The opening and closing torque is small, and the sealing is safe and reliable;
3. It can be used for energy saving in urban central heating areas or the regional heating;
4. It can be used to improve the hydraulic conditions of the pipeline network;
5. It can be used to improve the heating conditions;
6. It is energy saving.

VALVE MATERIAL LIST

Part Name	Part Material
Valve body, Bonnet Handwheel	Gray cast iron
Valve clack	Chrome plated gray cast iron
Valve stem	Q235
Stem nut	ZCuZn38Mn2Pb2
Sealing surface	PTFE
Medium-caliber gasket	XB300
Packing	Flexible graphite
Bolts, nuts	25/35



TECHNICAL SPECIFICATIONS

Model	DN	Size(mm)				
		L	(D)	d	H1	(H)
T10F-16	15	90	34.6	16	51	158
	20	100	42	18	51	158
	25	120	53.1	20	55	177
	32	140	63.5	22	62	189
	40	170	71.6	22	85	240
	50	200	86.6	25	88	270

