

Cast Iron Internal Thread Plug Valve



PRODUCT OVERVIEW

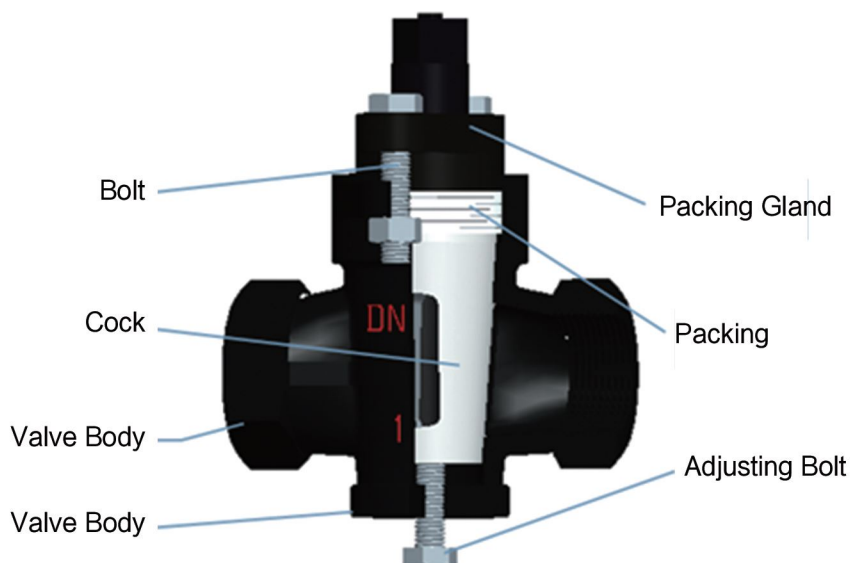
Body material:	Gray cast iron
Size range:	DN15 ~ 50mm
Pressure rating:	1.0 MPa
Operating temperature:	-10 ~ 100°C
End connection:	Threaded
Applicable medium:	Oil
Mode of operation:	Manual
Applicable industry:	Chemical & Petrochemical, Oil & Gas, Mining & Minerals, Power generation, Water & Water Treatment, Pulp & Paper, Municipal, Heating & Ventilation
Design & Manufacture:	API, ASME, ASTM, ANSI, BS, DIN, JIS, ISO, GB

DESIGN FEATURES

1. The valve is simple in shape, good in manufacturing process, wide in the scope of application, and easy for installation.
2. The structure is reasonable and compact and the size is small. The plug valve is of a wedge structure, which can automatically compensate for the deformation of the valve body caused by abnormal load or temperature during operation, and the sealing is safe and reliable.
3. The medium can flow in any direction from both sides of the cock, for the purpose of switching on or off.

VALVE MATERIAL LIST

Part Name	Part Material
Valve body, Packing gland	Grey cast iron
Cock body	Grey cast iron



TECHNICAL SPECIFICATIONS

Model	G	SIZE(mm)	
		L	H
X13W-10	1/2	80	89
	3/4	90	90
	1	110	110
	1 1/4	130	125
	1 1/2	150	160
	2	170	180

