

Cast Iron Internal Thread Globe Balance Valve

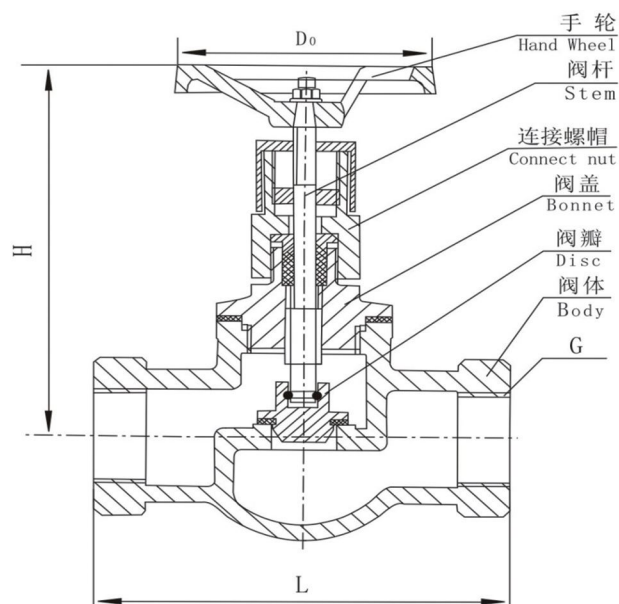


PRODUCT OVERVIEW

Body material:	Gray cast iron HT200
Size range:	DN15 ~ 50mm
Pressure rating:	1.6MPa
Operating temperature:	0 ~ 150°C
End connection:	Threaded
Applicable medium:	Water, Sewage
Mode of operation:	Manual
Applicable industry:	Water & Water Treatment, Power generation, Pulp & Paper, Municipal
Design & Manufacture:	API, ASME, ASTM, ANSI, BS, DIN, JIS, ISO, GB

DESIGN FEATURES

1. The structure is reasonable and compact, and the volume is small. The valve body is barrel-shaped or streamlined, and it looks beautiful.
2. The opening and closing torque is small, and the sealing is safe and reliable.
3. The valve has good flow characteristics, can distribute flow reasonably, and solve the problem of hydraulic imbalance in the pipeline network.
4. It can accurately adjust the pressure drop and flow rate to improve the flow state of the medium in the pipeline network for the purpose of medium balance.
5. It can accurately adjust the pressure drop and flow rate and improve the flow state of the medium in the pipeline network for the purpose of medium balance.
6. The valve is equipped with an opening indicator, an opening locking device and a small pressure measuring valve for flow measurement. In addition, a special intelligent instrument is used to input the calculated opening value in design. Then, the valve can be locked when the flow reaches the design requirement.



VALVE MATERIAL LIST

Part Name	Part Material
Valve body, Bonnet, Handwheel, Valve clack	Gray cast iron/HT200
Valve stem	Carbon steel, stainless steel
Connecting nut	Gray cast iron/HT200
Sealing ring	PTFE/PDFE
Valve clack	Chrome plated gray cast iron
Medium-caliber gasket	XB300
Packing	Flexible graphite
Indicator tube	Q235 chrome plating

TECHNICAL SPECIFICATIONS

Model	G	Size(mm)		
		L	H	D ₀
JP11F-16	1/2	110	140	75
	3/4	120	140	75
	1	130	160	75
	1 1/4	140	220	100
	1 1/2	170	245	120
	2	200	290	120

