

Cast Iron Flanged Non-Rising Stem Gate Valve



PRODUCT OVERVIEW

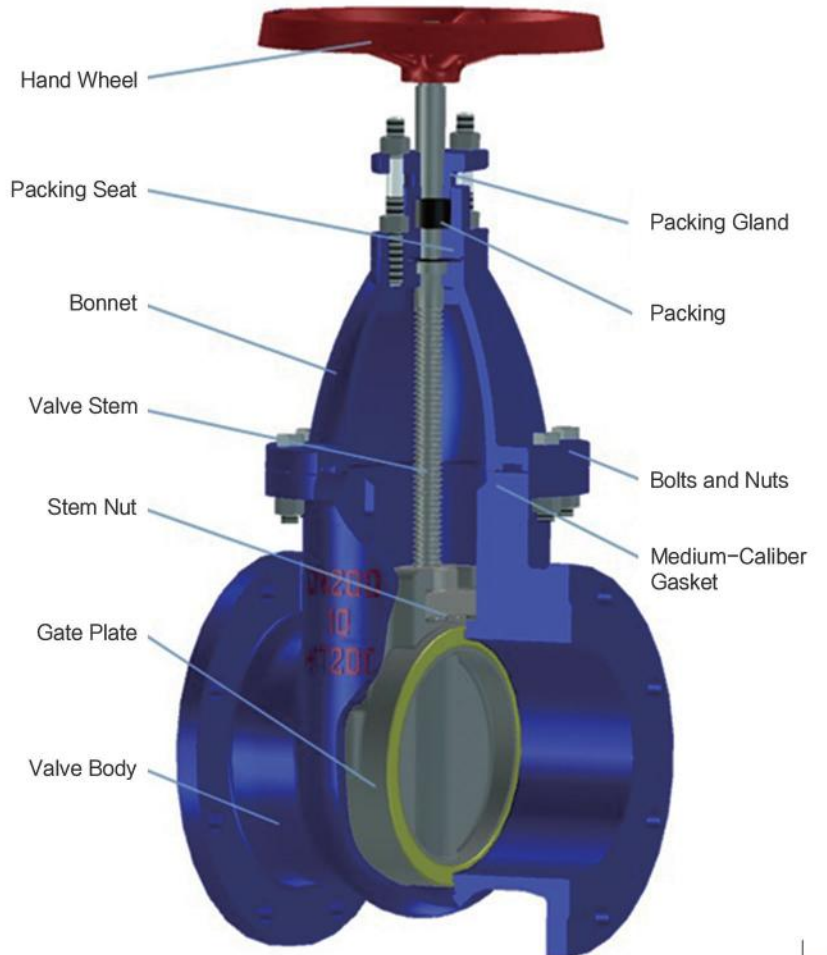
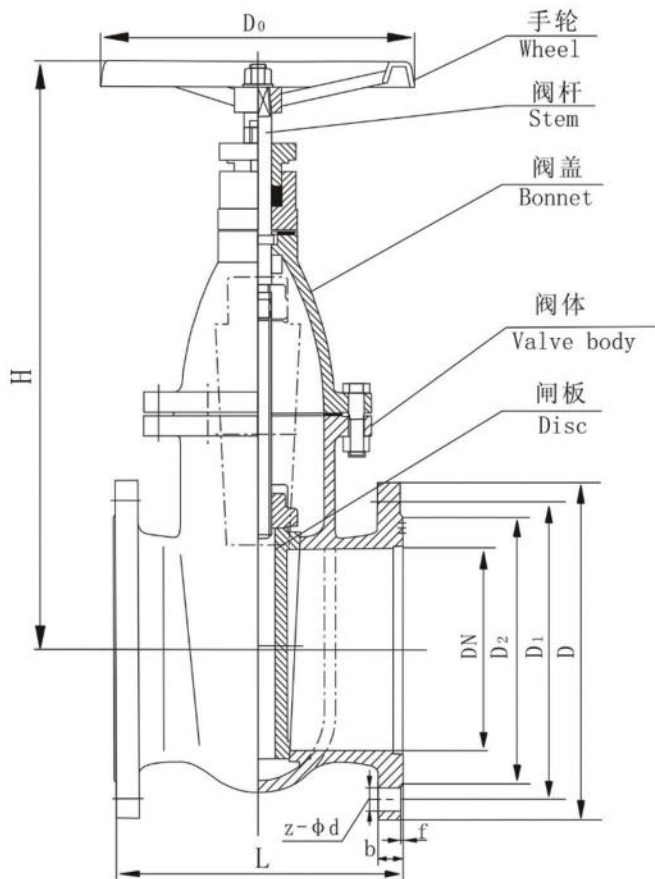
| | |
|------------------------|---|
| Body material: | Gray cast iron/Ductile cast iron |
| Size range: | DN40 ~ 800mm |
| Pressure rating: | 1.0 MPa |
| Operating temperature: | -10 ~ 100°C |
| End connection: | Flanged |
| Applicable medium: | Water, Sewage, Oil |
| Mode of operation: | Manual |
| Applicable industry: | Water & Water treatment, Power generation, Pulp & Paper, Municipal, Heating & Ventilation |
| Design & Manufacture: | API, ASME, ASTM, ANSI, BS, DIN, JIS, ISO, GB |

DESIGN FEATURES

1. The valve has a simple form and structure, showing excellent manufacturing technologies. It also has a wide scope of application and can be installed easily.
2. It has a reasonable, compact structure, a small size and a wedge valve gate, which can automatically compensate for the valve body deformation caused by abnormal loads or temperature during operation. Its sealing is also safe and reliable.
3. The medium can flow in any direction through either side of the gate valve to fulfill the purpose of connection or cutting off.

VALVE MATERIAL LIST

| Part Name | Part Material |
|---|-------------------------------|
| Valve body, gate plate, bonnet , packing seat, packing gland, hand wheel | Gray cast iron / Ductile iron |
| Stem nut | QT450-10/Copper |
| Valve stem | 2Cr13/Q235/copper |
| Medium-caliber gasket | XB300/NBR |
| Packing | Flexible graphite |
| Bolts, Nuts | 25/35 |



TECHNICAL SPECIFICATIONS

| Model | DN | Size(mm) | | | | | | | | |
|-----------|-----|----------|------|-----|----------------|----------------|--------|--------|------|-----|
| | | L | | D | D ₁ | D ₂ | b-f | Z-Φd | H | D0 |
| Z45T/W-10 | 40 | 165 | | 145 | 110 | 85 | 17-2 | 4-Φ19 | 243 | 140 |
| | 50 | 178 | | 165 | 125 | 100 | 19-2 | 4-Φ19 | 290 | 160 |
| | 65 | 190 | | 185 | 145 | 120 | 19-2 | 4-Φ19 | 305 | 160 |
| | 80 | 203 | | 200 | 160 | 135 | 21-2 | 8-Φ19 | 350 | 200 |
| | 100 | 229 | | 220 | 180 | 155 | 21-2 | 8-Φ19 | 380 | 200 |
| | 125 | 254 | | 245 | 210 | 185 | 23-2 | 8-Φ18 | 445 | 240 |
| | 150 | 280 | 267 | 280 | 240 | 210 | 24-3 | 8-Φ23 | 500 | 240 |
| | 200 | 330 | 292 | 335 | 295 | 265 | 26-3 | 8-Φ23 | 590 | 320 |
| | 250 | 380 | 330 | 390 | 350 | 320 | 27-3 | 12-Φ23 | 710 | 320 |
| | 300 | 420 | 356 | 440 | 400 | 368 | 27-3 | 12-Φ23 | 830 | 400 |
| | 350 | 450 | 381 | 500 | 460 | 428 | 28-3 | 16-Φ23 | 925 | 400 |
| | 400 | 480 | | 565 | 515 | 482 | 31-3 | 16-Φ25 | 1100 | 500 |
| | 450 | 510 | | 615 | 565 | 532 | 32-4 | 20-Φ25 | 1150 | 500 |
| | 500 | 540 | | 670 | 620 | 585 | 33-3 | 20-Φ25 | 1210 | 500 |
| | 600 | 600 | | 780 | 725 | 685 | 36-5 | 20-Φ30 | 1390 | 500 |
| | 700 | 660 | | 895 | 840 | 800 | 40-5 | 24-Φ30 | 1620 | 900 |
| 800 | 720 | | 1010 | 950 | 905 | 44-5 | 24-Φ34 | 1750 | 900 | |