

Cast Iron Flanged Ball Valve



PRODUCT OVERVIEW

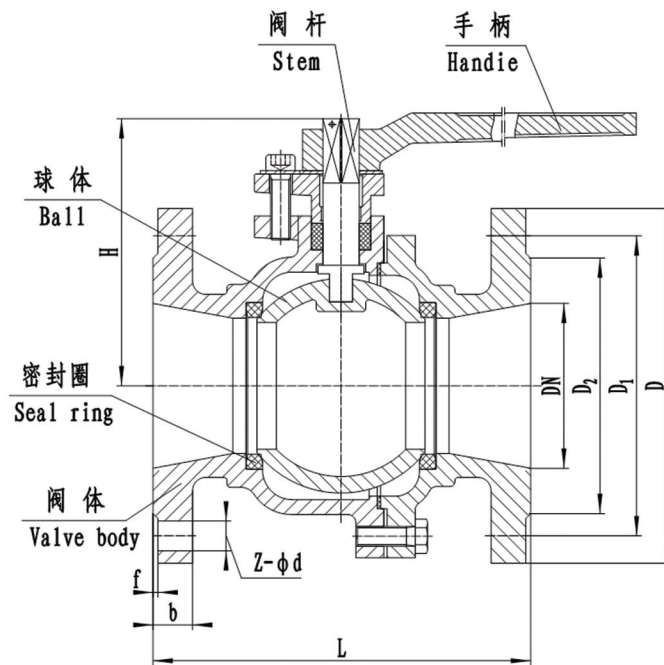
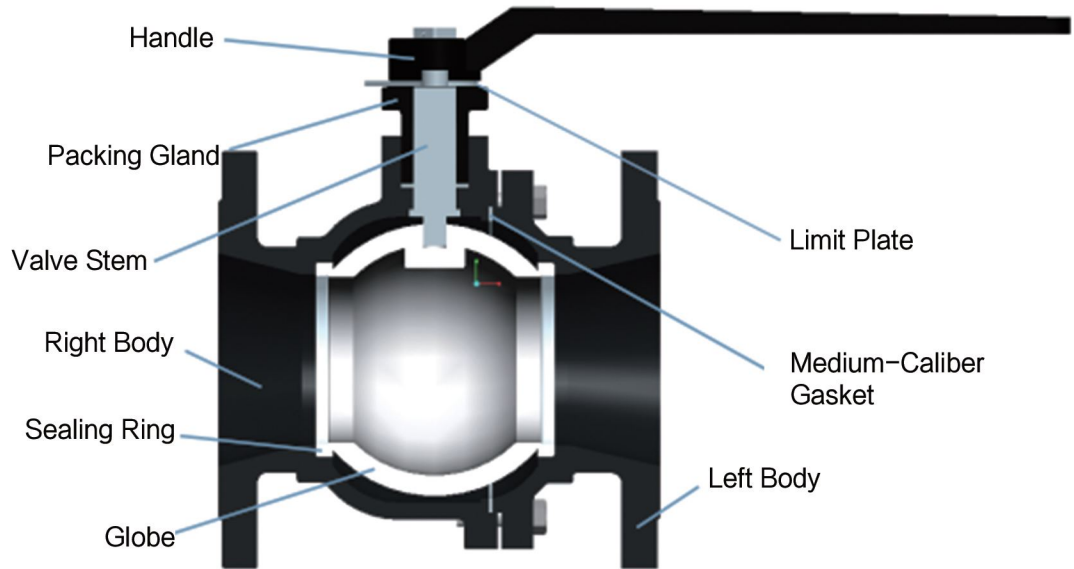
Body material:	Gray cast iron
Size range:	DN15 ~ 200mm
Pressure rating:	1.0 ~ 1.6MPa
Operating temperature:	0 ~ 150°C
End connection:	Flanged
Applicable medium:	Water, Sewage, Steam, Oil
Mode of operation:	Manual
Applicable industry:	Water & Water Treatment, Power Generation, Pulp & Paper, Municipal
Design & Manufacture:	API, ASME, ASTM, ANSI, BS, DIN, JIS, ISO, GB

DESIGN FEATURES

- 1.The valve is simple in structure, good in manufacturing process, wide in the scope of application and capable of opening and closing flexibly and rapidly.
- 2.The valve stem is of an anti-blow-out structure to increase the safety of the ball valve.
3. The medium can flow in any direction from both sides of the valve body, for the purpose of switching on or off.

VALVE MATERIAL LIST

Part Name	Part Material
Valve body	Grey cast iron
Globe	Chrome plated gray cast iron
Stem	Carbon steel, Stainless steel
Sealing ring	PTFE
Packing	Flexible graphite
Handle	HT200
Medium-caliber gasket	PTFE
Limit plate	Q235
Packing gland	HT200



TECHNICAL SPECIFICATIONS

Model	DN	Size(mm)							
		L		D	D ₁	D ₂	b-f	Z-Φd	H
(LY)Q41F-16	15	108	130	95	65	45	14-2	4-Φ14	76
	20	117	150	105	75	55	16-2	4-Φ14	76
	25	127	160	115	85	65	16-2	4-Φ14	88
	32	140	165	135	100	78	18-2	4-Φ18	92
	40	165	180	145	110	85	18-3	4-Φ18	103
	50	178	203	160	125	100	20-3	4-Φ18	118
	65	190	222	180	145	120	20-3	4-Φ18	130
	80	203	241	195	160	135	22-3	8-Φ18	138
	100	229	305	215	180	155	24-3	8-Φ18	162
	125	245	356	245	210	185	26-3	8-Φ18	190
	150	267	394	280	240	210	28-3	8-Φ23	210
	200	292	457	335	295	265	30-3	12-Φ23	230