

Carbon steel wedge gate valve

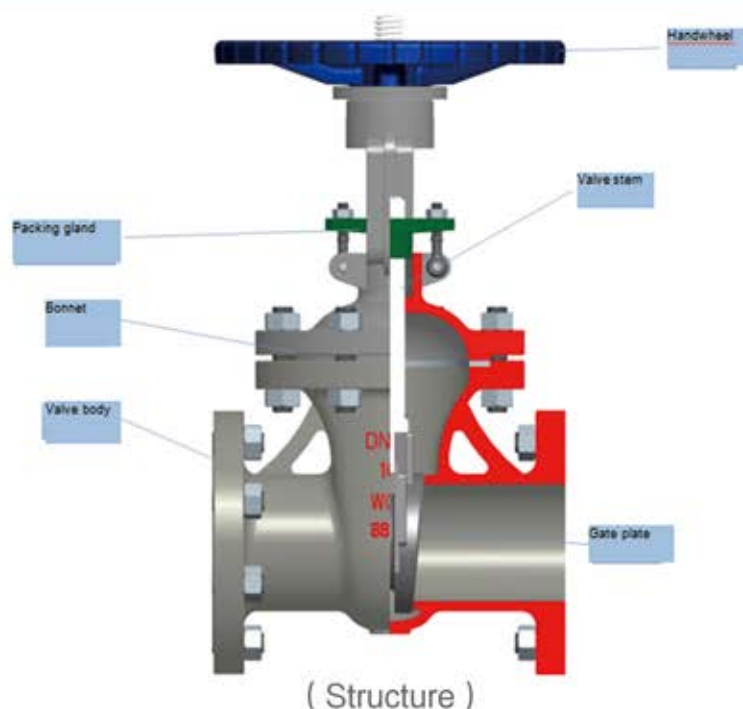


PRODUCT OVERVIEW

Body material:	WCB
Size range:	DN50 ~ 600
Pressure rating:	4.0 ~ 6.4MPa
Operating temperature:	-29 ~ 425°C
End connection:	Flanged
Applicable medium:	Water , Steam, Oil
Mode of operation:	Manual
Applicable industry:	Chemical & Petrochemical, Oil & Gas, Mining & Minerals, Power generation, Water & Water Treatment, Pulp & Paper, Municipal, Heating & Ventilation
Design & Manufacture:	API, ASME, ASTM, ANSI, BS, DIN, JIS, ISO, GB

DESIGN FEATURES

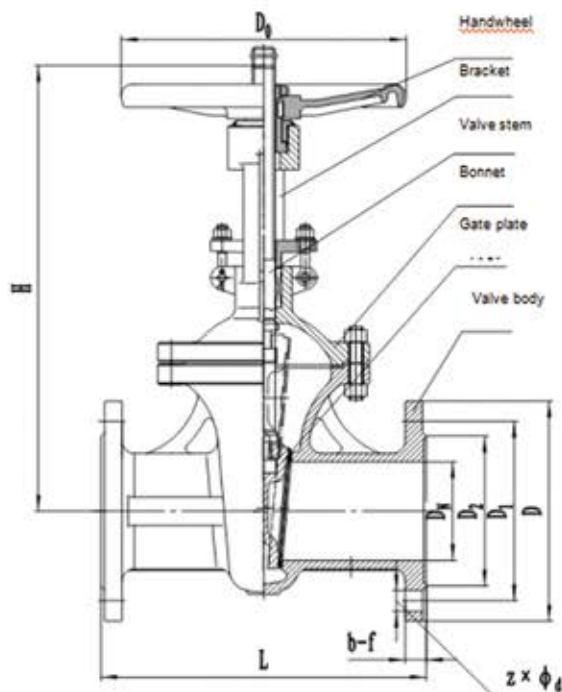
1. This is a flange valve, and implements the standard GB/T 12234.
2. This valve is mainly composed of a valve body, a gate plate, a valve stem, a bonnet and a hand wheel. The valve stem moves up and down by turning the hand wheel, thereby driving the gate plate to rise or fall and make a linear displacement perpendicular to the fluid, so as to realize the function of opening and closing.



VALVE MATERIAL LIST

Part name	Material
Valve body, bonnet	WCB
gate plate	WCB+2Cr13
Stem	2Cr13
Stem nut	ZCuAl10Fe3

TECHNICAL SPECIFICATIONS



Model	DN (mm)	Size(mm)								
		L	D	D ₁	D ₂	b-f	z-φd	Hmin	Hmax	D ₀
Z40H-40	50	250	165	125	99	20-4	4-φ18	328	388	220
	65	280	185	145	118	22-4	8-φ18	370	443	240
	80	310	200	160	132	24-4	8-φ18	417	506	250
	100	350	235	190	156	24-4.5	8-φ22	419	508	320
	125	400	270	220	184	26-4.5	8-φ26	537	674	350
	150	450	300	250	211	28-4.5	8-φ26	629.5	788	400
	200	550	375	320	284	34-4.5	12-φ30	781	986	450
	250	650	405	385	345	38-4.5	12-φ33	893.6	1148	500
	300	750	460	450	407	42-4.5	16-φ33	1042	1349	640
	350	850	570	510	465	46-4	16-φ34	1165	1513	640
	400	950	655	585	535	50-4	16-φ41	1310	1711	640
	450	1050	680	610	560	57-4	20-φ41	1468	1920	700
	500	1150	755	670	612	57-4	20-φ48	1629	2135	800
600	1350	890	795	730	62-5	20-φ48	1916	2523	800	

Model	DN (mm)	Size(mm)								
		L	D	D ₁	D ₂	b-f	z-φ d	Hmin	Hmax	D ₀
Z40H-64	50	250	180	135	99	26-4	4-φ 22	359	421	250
	65	280	205	160	118	26-4	8-φ 23	384	458	250
	80	310	215	170	132	28-4	8-φ 23	416	504	250
	100	350	250	200	156	30-4.5	8-φ 26	481	588	300
	125	400	295	240	184	34-4.5	8-φ 30	548	685	350
	150	450	345	280	211	36-4.5	8-φ 33	630.6	790	400
	200	550	415	345	284	42-4.5	12-φ 36	777	982	500
	250	650	470	400	345	46-4.5	12-φ 36	911.6	1164	500
	300	750	530	460	407	52-4.5	16-φ 36	1062	1367	640
	350	850	465	525	600	56-4.5	16-φ 39	1062	1367	700
	400	950	535	585	670	60-5	16-φ 42	1340	1740	800