

Carbon steel flue ventilation butterfly

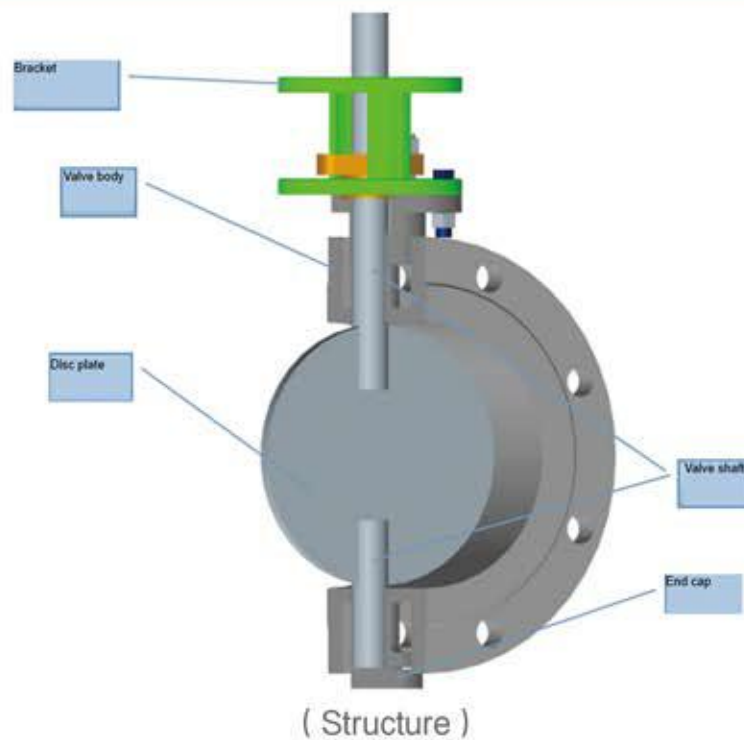


PRODUCT OVERVIEW

Body material:	Q235
Size range:	DN50 ~ 1000
Pressure rating:	0.25 ~ 0.6MPa
Operating temperature:	-29 ~ 300°C
End connection:	Flanged
Applicable medium:	Exhaust gas, Air
Mode of operation:	Manual
Applicable industry:	Chemical & Petrochemical, Oil & Gas, Mining & Minerals, Power generation, Water & Water Treatment, Pulp & Paper, Municipal, Heating & Ventilation
Design & Manufacture:	API, ASME, ASTM, ANSI, BS, DIN, JIS, ISO, GB

DESIGN FEATURES

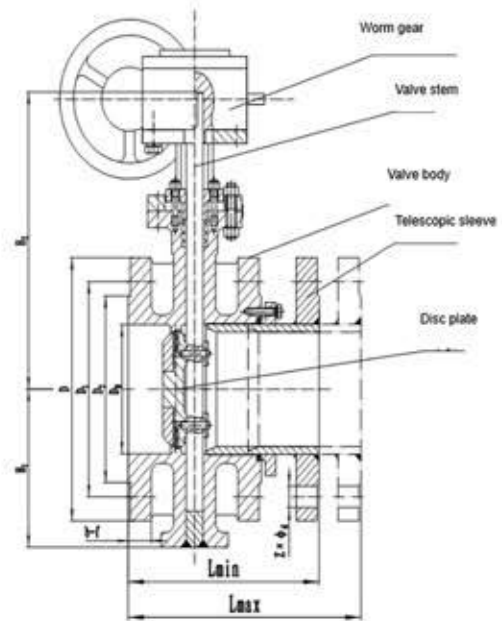
1. The valve is compact in structure, small in size, light in weight and easy to install.
2. It is characterized by low flow resistance and large flow area.
3. It works reliably and has a long service life.



VALVE MATERIAL LIST

Part name	Material
Valve body, disc plate	Q235
Valve shaft	2Cr13
End cover, disc plate pressing ring	45, Q235
Bracket	WCB

TECHNICAL SPECIFICATIONS



Model	DN (mm)	Size(mm)					
		L	D	D ₁	D ₂	b-f	z-φ d
TD341W-2.5C/6C	50	100	140	110	88	12-2	4-φ 18
	65	100	160	130	108	12-2	8-φ 18
	80	100	190	150	124	14-2	8-φ 18
	100	120	210	170	144	14-2	8-φ 18
	125	120	240	200	174	16-2	8-φ 18
	150	140	265	225	199	18-2	8-φ 22
	200	140	320	280	254	18-2	8-φ 22
	250	140	375	335	309	18-2	12-φ 22
	300	170	440	395	363	20-2	12-φ 22
	350	170	490	445	413	22-2	16-φ 22
	400	190	540	495	463	22-2	16-φ 26
	450	190	590	550	518	22-2	20-φ 26
	500	190	645	600	568	24-2	20-φ 26
	600	210	755	705	667	24-2	20-φ 30
	700	210	860	810	772	24-4	24-φ 30
	800	210	975	920	878	24-4	24-φ 33
	900	250	1075	1020	978	24-4	28-φ 33
1000	250	1175	1120	1078	24-4	28-φ 36	

Model	DN (mm)	Size(mm)					
		L	D	D ₁	D ₂	b-f	z-φ d
TD341W-2.5C	1200	250	1375	1320	1278	24-4	32-φ 30
	1400	300	1575	1520	1478	26-4	36-φ 30
	1600	300	1790	1730	1688	28-4	40-φ 30

Model	DN (mm)	Size(mm)					
		L	D	D ₁	D ₂	b-f	z-φ d
TD341W-6C	1200	250	1405	1340	1295	26-4	32-φ 33
	1400	300	1630	1560	1510	28-4	36-φ 36
	1600	300	1830	1760	1710	32-4	40-φ 36