

Brass Y-type switching pipeline filter



PRODUCT OVERVIEW

Body material:	Brass
Size range:	1/2" ~ 2"
Pressure rating:	1.6MPa
Operating temperature:	-20 ~ 150°C
End connection:	Threaded
Applicable medium:	Water, Household pipe gas, Oil
Mode of operation:	Manual
Applicable industry:	Municipal, Heating & Ventilation
Design & Manufacture:	API, ASME, ASTM, ANSI, BS, DIN, JIS, ISO, GB

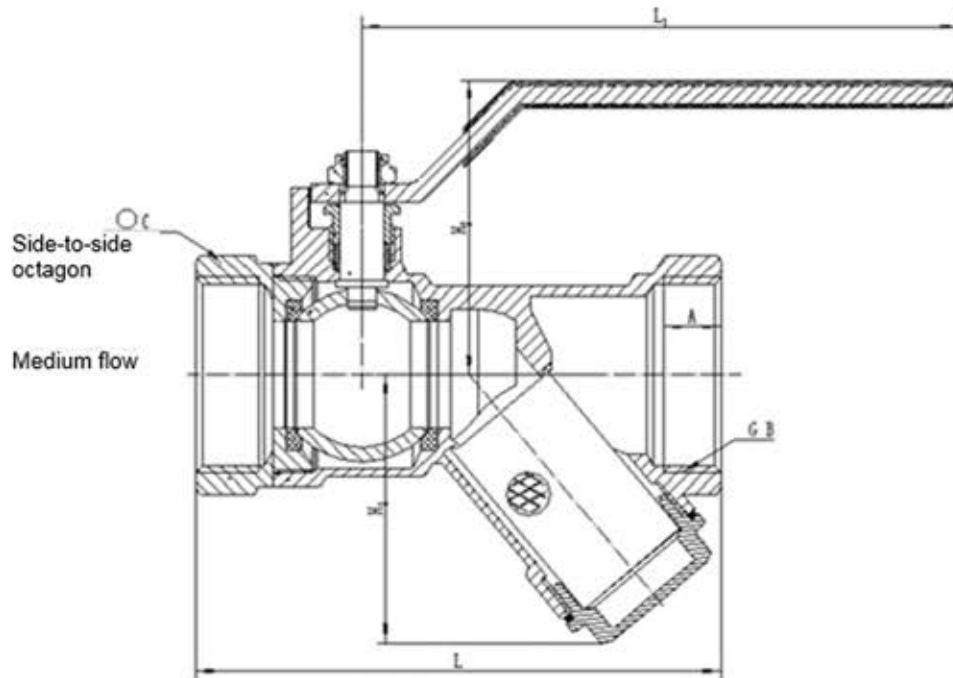
DESIGN FEATURES

1. This product implements the GB/T8464 standard.
2. It is composed of valve body, bonnet, filter screen and other parts. The medium flows in from the inlet, filtered by the filter screen, and flows out from the outlet.

VALVE MATERIAL LIST

Part name	Part material
Valve body, bonnet	HPb59-1
Filter screen	201





TECHNICAL SPECIFICATIONS

Model	DN (mm)	Size(mm)						
		L	A	B	C	H ₁	H ₂	L ₁
	20	81.5	11.5	3/4"	33	43	49	100
	25	96.5	12	1"	39	50.7	56.1	116.3
	32	112.5	12.5	1 1/4"	48	57.5	63	128