

# *Brass internal thread non-rising stem gate valve*



## PRODUCT OVERVIEW

Body material:	Brass
Size range:	1/2" ~ 2"
Pressure rating:	1.6MPa
Operating temperature:	-20 ~ 150°C
End connection:	Threaded
Applicable medium:	Water, Household pipe gas, Air
Mode of operation:	Manual
Applicable industry:	Municipal, Heating & Ventilation
Design & Manufacture:	API, ASME, ASTM, ANSI, BS, DIN, JIS, ISO, GB

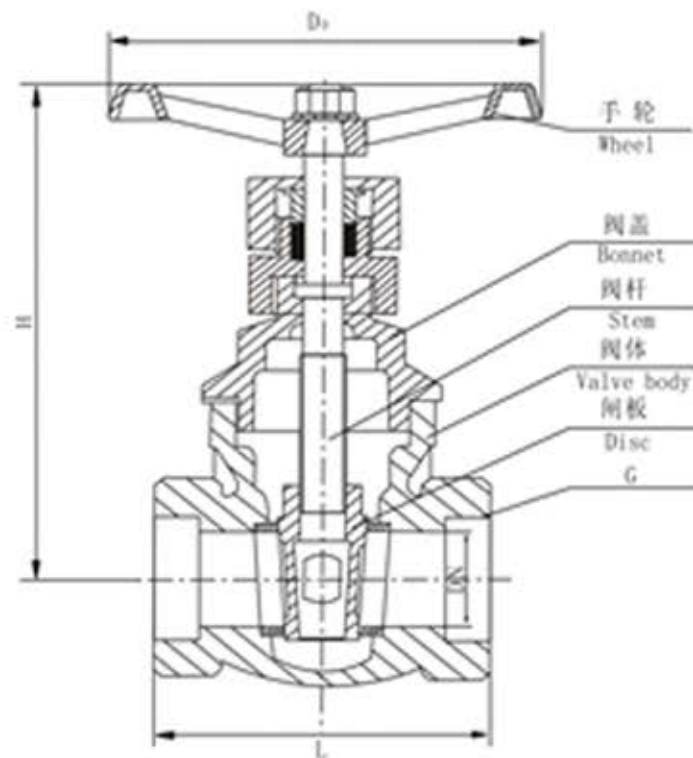
## DESIGN FEATURES

1. This valve is internal thread connected wedge gate valve, which implements the GB/T8464 standard.
2. It is composed of valve body, bonnet, gate plate, valve stem and hand wheel, etc. The valve stem is rotated by turning the hand wheel, thus driving the valve clack to rise or descend to achieve the purpose of opening and closing.

## VALVE MATERIAL LIST

Part name	Part material
Valve body, bonnet	Copper
Hand wheel	Grey cast iron
Gate plate	Copper
Valve stem	Copper





## TECHNICAL SPECIFICATIONS

Model	G	Size ( mm )		
		L	H	D <sub>0</sub>
	1/2	43.5	71	φ 53
	3/4	45	77	φ 59.5
	1	49	85.5	φ 59.5
	1 1/4	55.5	105.5	φ 73.5
	1 1/2	59	113.5	φ 73.5
	2	63	130	φ 78