

Brass internal thread ball valve



PRODUCT OVERVIEW

Body material:	Brass
Size range:	1/2" ~ 2"
Pressure rating:	1.6MPa
Operating temperature:	-20 ~ 150°C
End connection:	Threaded
Applicable medium:	Water, Steam, Oil, Non-corrosive liquid
Mode of operation:	Manual
Applicable industry:	Municipal, Heating & Ventilation
Design & Manufacture:	API, ASME, ASTM, ANSI, BS, DIN, JIS, ISO, GB

DESIGN FEATURES

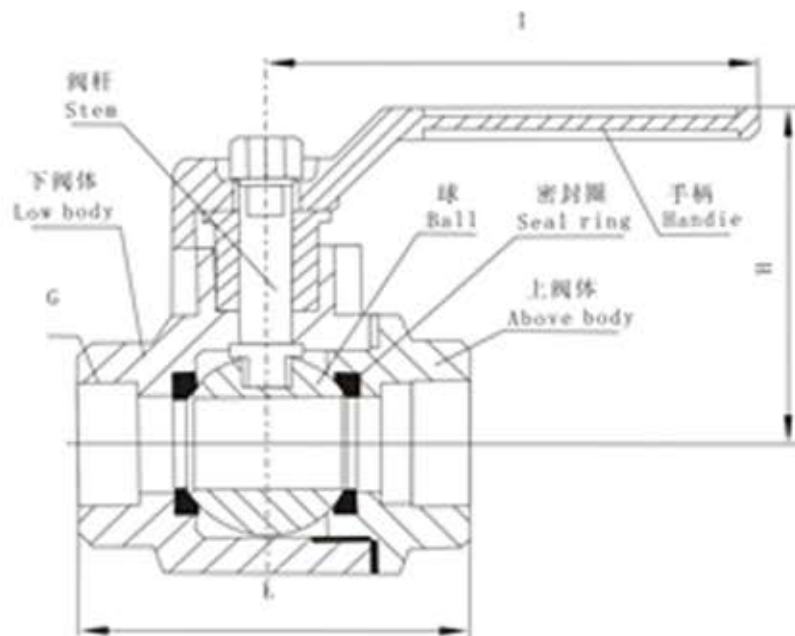
1. Q11F-16T is an internal thread-connected ball valve, which implements the GB/T8464 standard.

2. Q11F-16T is composed of valve body, globe, valve stem, handle and other parts. When the handle is paralleling to the pipeline axis, the valve is in the open position; when the handle is vertical to the pipeline axis it is in the closed position. The opening and closing is achieved by turning the handle by 90° .

VALVE MATERIAL LIST

Part name	Part material
Valve body	HPb59-1
Globe	HPb59-1
Stem	HPb59-1
Sealing ring	PTFE





TECHNICAL SPECIFICATIONS

Model	G	Size (mm)		
		L	H	I
Q11F-16T	1/2	51.4	48.2	90
	3/4	57.4	51	90
	1	67.4	58	100
	1 1/4	77.5	61	100
	1 1/2	88	73	137
	2	105.4	79	137