

# API6D stainless steel floating ball valve

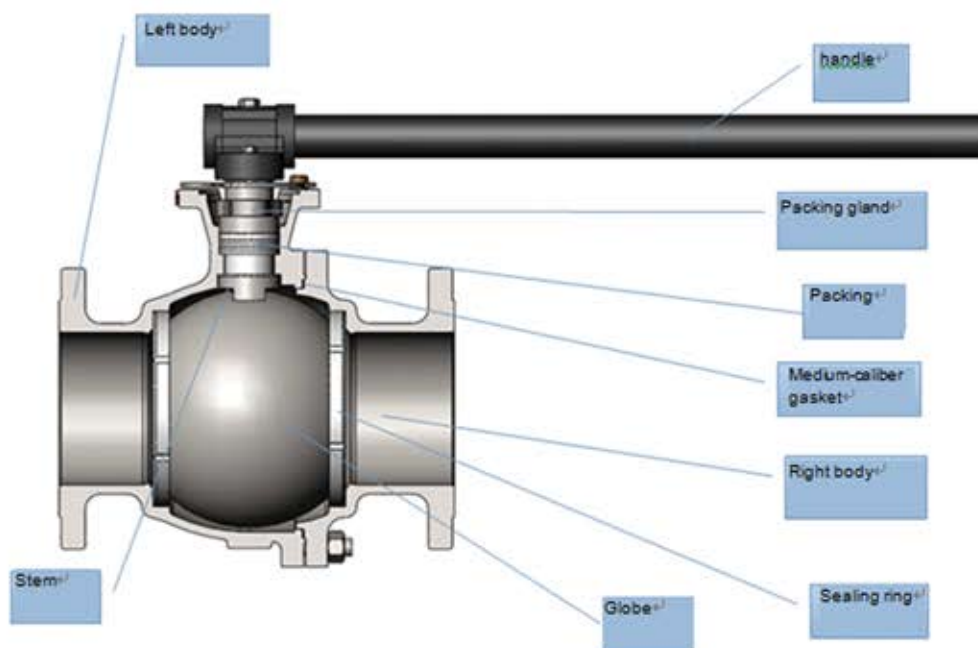


## PRODUCT OVERVIEW

<b>Body material:</b>	ASTM A 351/A 351M CF8
<b>Size range:</b>	1/2" ~ 8"
<b>Pressure rating:</b>	Class 150lb
<b>Operating temperature:</b>	-29 ~ 150°C
<b>End connection:</b>	Flanged
<b>Applicable medium:</b>	Water, Steam, Oil, Nitric acid liquid
<b>Mode of operation:</b>	Manual
<b>Applicable industry:</b>	Chemical & Petrochemical, Oil & Gas, Mining & Minerals, Power generation, Water & Water Treatment, Pulp & Paper, Municipal, Heating & Ventilation
<b>Design &amp; Manufacture:</b>	API, ASME, ASTM, ANSI, BS, DIN, JIS, ISO, GB

## DESIGN FEATURES

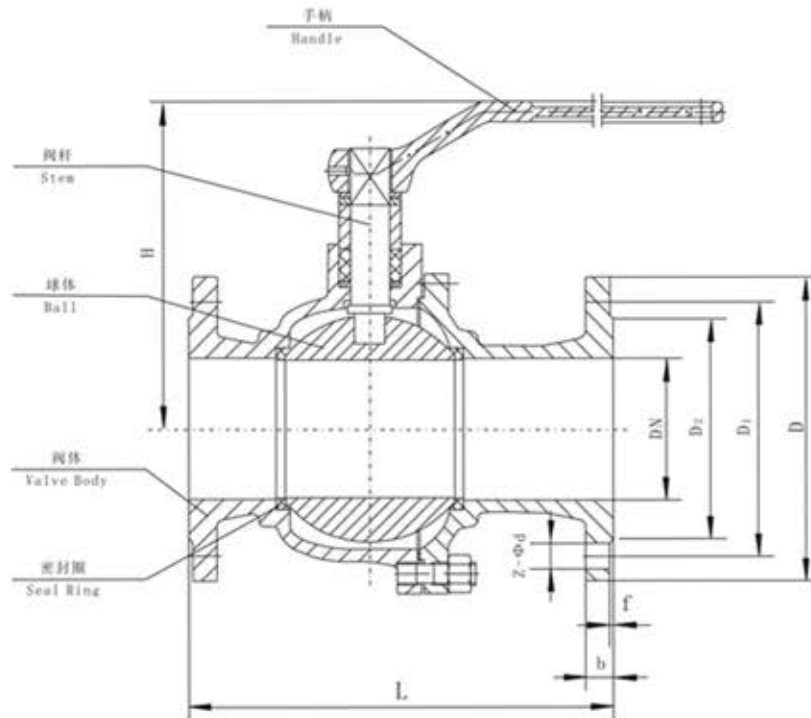
This valve is composed of a valve body, a globe, a valve stem, a handle and other parts. By rotating the handle, the valve stem can be rotate 90° to drive the globe to rotate 90° for opening and closing.



## VALVE MATERIAL LIST

Part name	Material
Valve body	CF8
Stem, globe	F304
Sealing ring, packing	PTFE

## TECHNICAL SPECIFICATIONS



in	DN (mm)	Size(mm)							
		D <sub>2</sub>	D <sub>1</sub>	D	f	b	z-φd	H	L
1/2	15	35	60.5	89	1.6	12.8	4-φ16	76	108 ± 2
3/4	20	43	70	98	1.6	14.3	4-φ16	84	117 ± 2
1	25	51	79.5	110	1.6	14.3	4-φ16	90	127 ± 2
1 1/4	32	64	89	115	1.6	15.9	4-φ16	103	140 ± 2
1 1/2	40	73	98.5	125	1.6	17.5	4-φ16	113	165 ± 2
2	50	92	120.4	150	2	19.1	4-φ19	125	178 ± 2
1 1/2	65	105	139.7	180	2	22.5	4-φ19	148	190 ± 2
3	80	127	152.4	190	2	24	4-φ19	167	203 ± 2
4	100	157	190.5	230	2	24.5	8-φ19	213	229 ± 2
5	125	186	215.9	255	2	24.5	8-φ22	267	356 ± 2
6	150	216	241.3	280	2	26	8-φ22	275	394 ± 2