

API6D cast steel floating ball valve

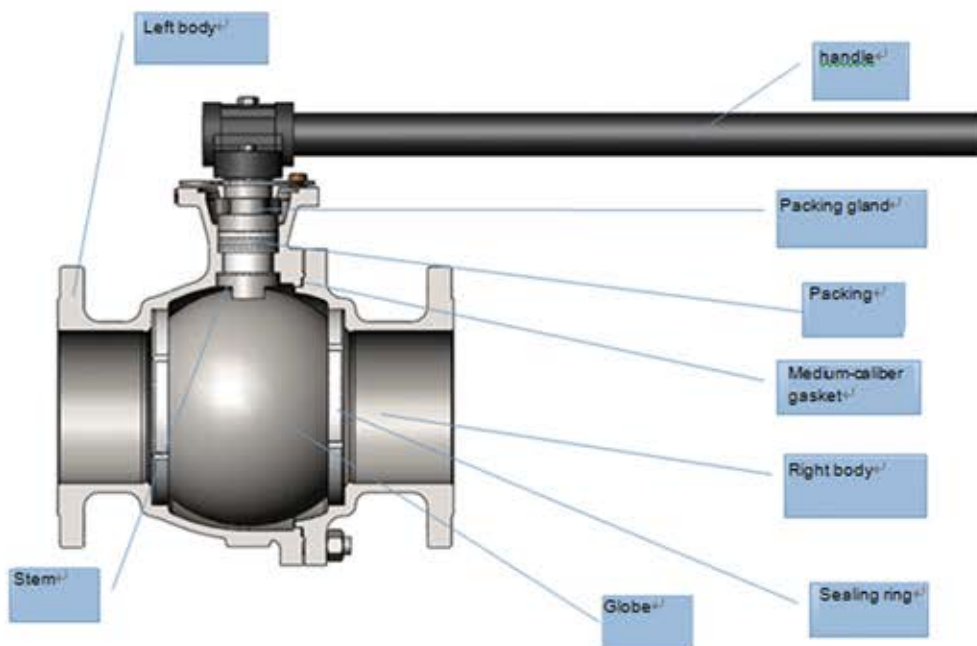


PRODUCT OVERVIEW

Body material:	ASTM A216 WCB
Size range:	1/2" ~ 8"
Pressure rating:	Class 150lb
Operating temperature:	-29 ~ 150°C
End connection:	Flanged
Applicable medium:	Water, Steam, Oil
Mode of operation:	Manual
Applicable industry:	Chemical & Petrochemical, Oil & Gas, Mining & Minerals, Power generation, Water & Water Treatment, Pulp & Paper, Municipal, Heating & Ventilation
Design & Manufacture:	API, ASME, ASTM, ANSI, BS, DIN, JIS, ISO, GB

DESIGN FEATURES

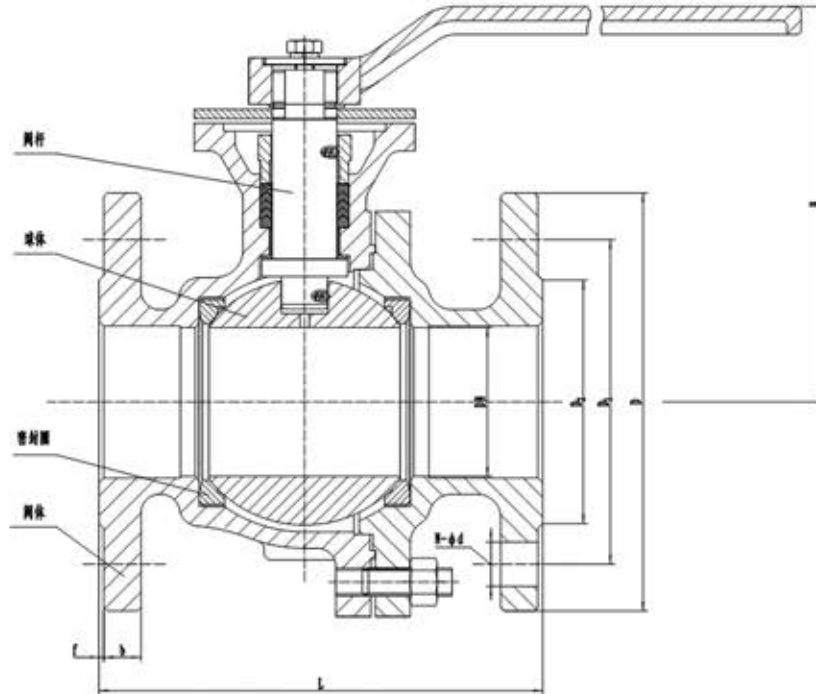
This valve is composed of a valve body, a globe, a valve stem, a handle and other parts. By rotating the handle, the valve stem can be rotate 90° to drive the globe to rotate 90° for opening and closing.



VALVE MATERIAL LIST

Part name	Material
Valve body	ASTM A216 WCB
Stem, globe	ASTM A182 F304
Sealing ring, packing	PTFE

TECHNICAL SPECIFICATIONS



in	DN (mm)	Size(mm)							
		D ₂	D ₁	D	f	b	z-φd	H	L
1/2	15	34.9	60.3	90	2	8	4-φ 15.8	104.5	108 ± 1.5
3/4	20	42.9	69.9	100	2	9	4-φ 15.8	106	117 ± 1.5
1	25	50.8	79.4	110	2	9.6	4-φ 15.8	120.5	127 ± 1.5
1 1/4	32	63.5	88.9	115	2	11.2	4-φ 15.8	131	140 ± 1.5
1 1/2	38	73	98.4	125	2	12.7	4-φ 15.8	135	165 ± 1.5
2	50	92.1	120.7	150	2	14.3	4-φ 19	145.5	178 ± 1.5
1 1/2	64	104.8	139.7	180	2	16	4-φ 19	170	191 ± 1.5
3	75	127	152.4	190	2	17.5	4-φ 19	189	203 ± 1.5
4	100	157.2	190.5	230	2	22.3	8-φ 19	211.5	229 ± 1.5
5	125	186	215.9	255	2	22.3	8-φ 22.2	234.5	356 ± 1.5
6	150	215.9	241.3	280	2	23.9	8-φ 22.2	285	394 ± 2
8	202	269.9	298.5	345	2	27	8-φ 22.2	428	457 ± 2