

API602/ASME forged steel flanged globe valve

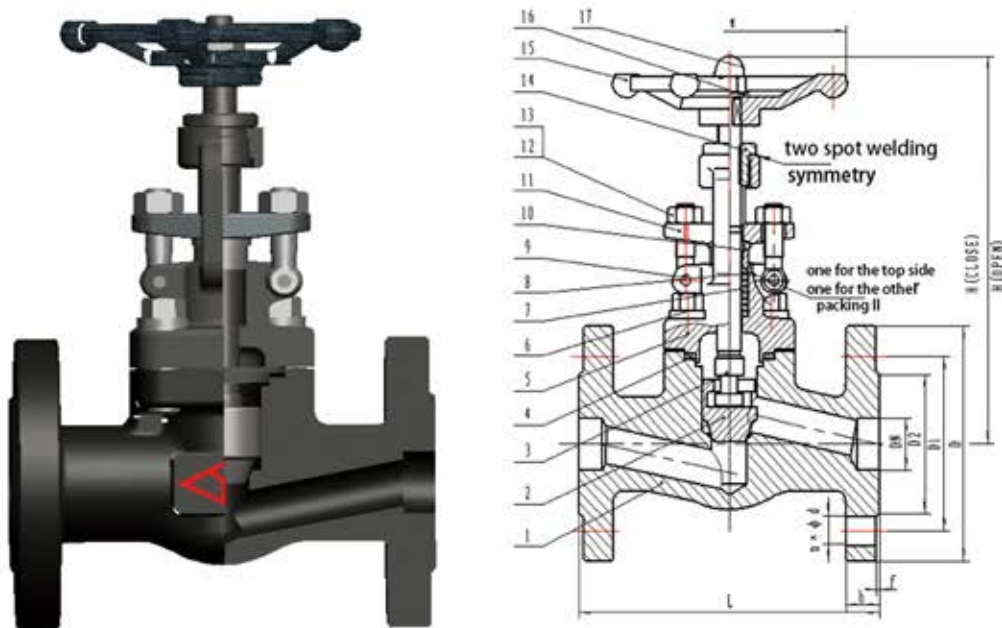


PRODUCT OVERVIEW

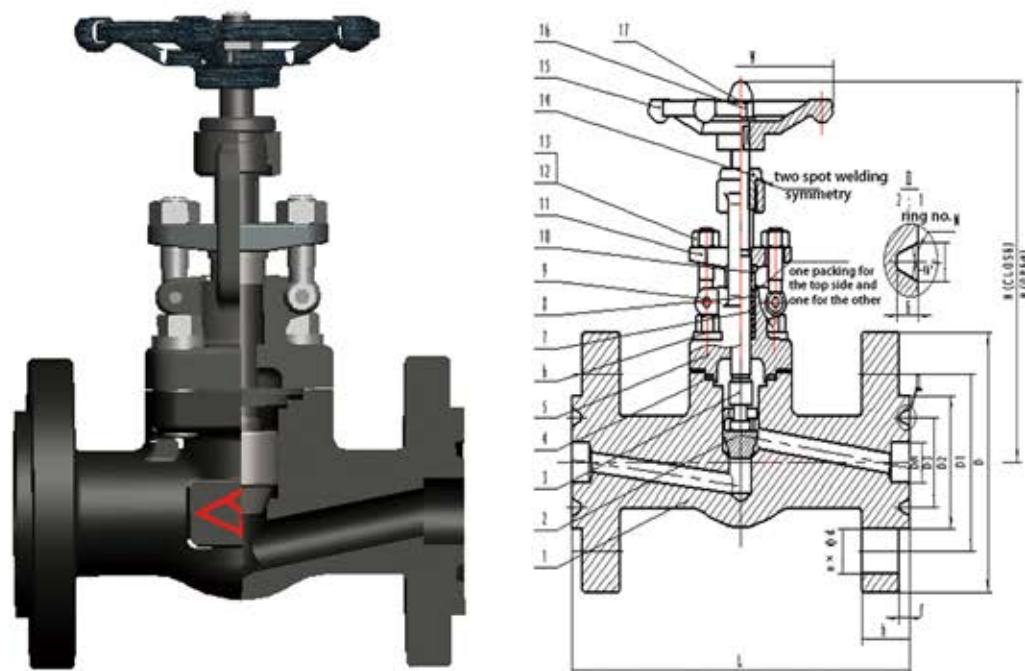
Body material:	A105N/A350 LF2/A182 F11/A182 F22/A182 F304/A182 F316/A182 F304L/A182 F316L
Size range:	DN15 ~ 50
Pressure rating:	1.6 ~ 10.0MPa
Operating temperature:	-29 ~ 538°C
End connection:	Flanged
Applicable medium:	Water, Steam, Oil, Gas, etc.
Mode of operation:	Manual
Applicable industry:	Chemical & Petrochemical, Oil & Gas, Mining & Minerals, Power generation, Water & Water Treatment, Pulp & Paper, Municipal, Heating & Ventilation
Design & Manufacture:	API, ASME, ASTM, ANSI, BS, DIN, JIS, ISO, GB

DESIGN FEATURES

- 1 The stem is designed to have double sealing function, i.e., packing and upper sealing.
- 2 The connecting part of the valve stem and the valve clack utilizes cylindrical head structure. In addition, the valve stem head is designed in spherical shape to realize that the thrust point of the valve stem acting on the valve clack is circular when the valve is closed.
- 3 The Valve clack' s tapered sealing surface can narrow the contact area. Under the action of force, the specific pressure of the seal is relatively greatly increased, so that the applied sealing force is smaller, which makes the sealing much easier to implement.
- 4 The valve body and the bonnet are connected through a tongue and groove joint, which can reduce the extension and overpressure deformation of the metal spiral wound gasket under the action of preload.
- 5 The movable joint is connected by swing bolts, nuts and pin shafts, which are easy to install, simple in structure, strong in stability and long in service life.



(For NPS1/2 ~ NPS2、 Class150 ~ Class600)



(For NPS1/2 ~ NPS2、Class900 ~ Class1500)

VALVE MATERIAL LIST

S/N	Part name	Material							
1	Valve body	A105N	A350 LF2	A182 F11	A182 F22	A182 F304	A182 F316	A182 F304L	A182 F316L
2	Valve clack	A276 420/STL				A182 F304/STL	A182 F316/STL	A182 F304L/STL	A182 F316L/STL
3	Valve stem	A276 410				A276 304	A276 316	A276 304L	A276 316L
4	Medium-caliber gasket	201+ flexible graphite /304+ flexible graphite							
5	Bonnet	A105N	A350 LF2	A182 F11	A182 F22	A182 F304	A182 F316	A182 F304L	A182 F316L
6	Medium-caliber bolt	A193 B7	A193 B7	A193 B16	A193 B16	A193 B8	A193 B8M	A193 B8M	A193 B8M
7	Packing I	flexible graphite							
8	Packing II	Steel wire packing (304+ flexible graphite)							
9	Lateral pin	45							

S/N	Part name	Material							
		A276 420	A276 420	A276 420	A276 420	A276 304	A276 316	A276 304L	A276 316L
10	Packing sleeve	A276 420	A276 420	A276 420	A276 420	A276 304	A276 316	A276 304L	A276 316L
11	Packing plate	A105N	A350 LF2	A182 F11	A182 F22	A182 F304	A182 F316	A182 F304L	A182 F316L
12	Nut	A194 2H	A194 2H	A194 2H	A194 2H	A194 8M	A194 8M	A194 8M	A194 8M
13	Swing bolt	A193 B7	A193 B7	A193 B7	A193 B7	A193 B8	A193 B8M	A193 B8M	A193 B8M
14	Stem nut	35/A276 410							
15	Handwheel	Forgeable cast-iron							
16	Flat Washers	Q235							
17	Cap nut	25				304			

The applicable medium and temperature range of shell material

Shell material	A105N	A350 LF2	A182 F11/F22	A182 F304/F316	A182 F304L	A182 F316L
Applicable temperature (°C)	-29 ~ 425	-46 ~ 345	-29 ~ 538	-29 ~ 538	-29 ~ 425	-29 ~ 450
Applicable medium	Water, steam, oil	Water, steam, oil, gas	Water, steam, oil, gas	Water, steam, oil, gas	Water, steam, oil, gas	Water, steam, oil, gas

Note: When the medium is flammable or explosive, the working temperature of pipeline system must be restricted.

TECHNICAL SPECIFICATIONS

Model	NPS	Size(mm)									
		L	D	D ₁	D ₂	b	f	n-φd	H(CLOSE)	H(OPEN)	W
NPS1/2 ~ NPS2、 Class150	1/2	108	90	60.3	34.9	12	2	4-φ 15.9	159	167	100
	3/4	117	100	69.9	42.9	13.2	2	4-φ 15.9	162.5	170	100
	1	127	110	79.4	50.8	14.7	2	4-φ 15.9	189.5	202	120
	1-1/4	140	115	88.9	63.5	16.3	2	4-φ 15.9	222	236	160
	1-1/2	165	125	98.4	73	17.9	2	4-φ 15.9	238	261.5	160
	2	178	150	120.7	120.7	19.5	2	4-φ 19.1	273	303	180

Model	NPS	Size(mm)									
		L	D	D ₁	D ₂	b	f	n-φd	H(CLOSE)	H(OPEN)	W
NPS1/2 ~ NPS2、 Class300	1/2	152	95	66.7	34.9	14.7	2	4-φ 15.9	159	167	100
	3/4	178	115	82.6	42.9	16.3	2	4-φ 19.1	162.5	170	100
	1	203	125	88.9	50.8	17.9	2	4-φ 19.1	189.5	202	120
	1-1/4	216	135	98.4	63.5	19.5	2	4-φ 19.1	222	236	160
	1-1/2	229	155	114.3	73	21.1	2	4-φ 22.4	238	261.5	160
	2	267	165	127	92.1	22.7	2	8-φ 19.1	273	303	180

Model	NPS	Size(mm)									
		L	D	D ₁	D ₂	b	f	n-φd	H(CLOSE)	H(OPEN)	W
NPS1/2 ~ NPS2、 Class600	1/2	165	95	66.7	34.9	21.3	7	4-φ 15.9	159	167	100
	3/4	190	115	82.6	42.9	22.9	7	4-φ 19.1	162.5	170	100
	1	216	125	88.9	50.8	24.5	7	4-φ 19.1	189.5	202	120
	1-1/4	229	135	98.4	63.5	27.7	7	4-φ 19.1	222	236	160
	1-1/2	241	155	114.3	73	29.3	7	4-φ 22.4	238	261.5	160
	2	292	165	127	92.1	32.4	7	8-φ 19.1	273	303	180

Model	NPS	Size(mm)													
		L	D	D ₁	D ₂	D ₃	b	f	n-φd	E	F	M	H (CLOSE)	H (OPEN)	W
NPS1/2 ~ NPS2、 Class900/ 1500	1/2	216	120	82.6	60.5	39.67	28.65	6.35	4-φ22.4	6.35	8.74	12	190	202	120
	3/4	229	130	88.9	66.5	44.45	31.75	6.35	4-φ22.4	6.35	8.74	14	190	202	120
	1	254	150	101.6	71.5	50.8	34.95	6.35	4-φ25.4	6.35	8.74	16	223.5	240	160
	1-1/4	279	160	111.1	81	60.33	34.95	6.35	4-φ25.4	6.35	8.74	18	238	259	160
	1-1/2	305	180	123.8	92	68.27	38.15	6.35	4-φ28.6	6.35	8.74	20	273	300	180
	2	371	215	165.1	124	95.25	46.02	7.92	8-φ25.5	7.92	11.91	24	305	335	200