

API600 cast steel flanged gate valve (300lb)

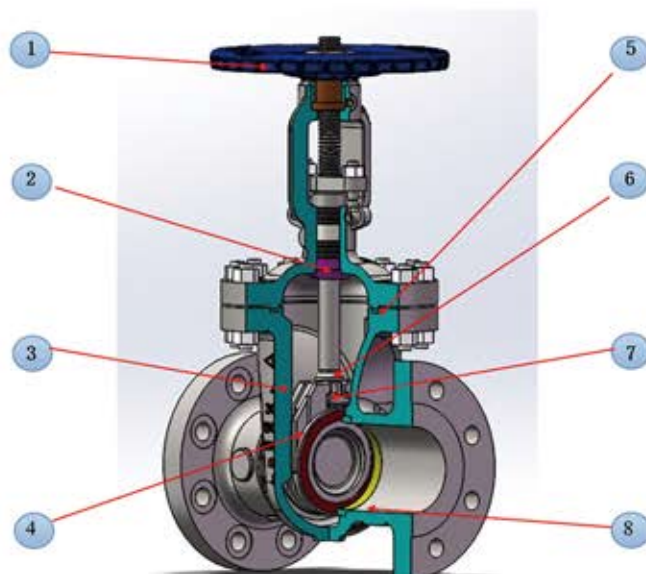


PRODUCT OVERVIEW

Body material:	ASTM A216 WCB
Size range:	2" ~ 36"
Pressure rating:	Class 300lb
Operating temperature:	-29 ~ 425°C
End connection:	Flanged
Applicable medium:	Water, Steam, Oil
Mode of operation:	Manual
Applicable industry:	Chemical & Petrochemical, Oil & Gas, Mining & Minerals, Power generation, Water & Water Treatment, Pulp & Paper, Municipal, Heating & Ventilation
Design & Manufacture:	API, ASME, ASTM, ANSI, BS, DIN, JIS, ISO, GB

DESIGN FEATURES

- 1.The valve allows to remove the handwheel in the fully open position;
- 2.The packing can be replaced with different materials and structures according to the requirements of customer;
- 3.The integral guide rail inside the valve body can ensure that the gate plate is aligned at any position during the process of opening and closing.
- 4.The elastic wedge gate plate can compensate the distortion of the seat ring surface and the deformation of the valve body caused by the pipeline stress;
- 5.The medium-caliber gasket utilizes metal spiral wound gasket, which has good sealing performance, a longer service life, and can be used repeatedly;
- 6.The anti-blow-out valve stem is designed with a tapered upper sealing surface. When the valve is fully opened, it is in close contact with the valve bonnet;
- 7.The joint strength between the valve stem and the gate plate is higher than that of the thread of the valve stem;
- 8.The valve seat ring is installed by sealing welding, and customers can choose different surfacing materials for the sealing surface according to their own demands.

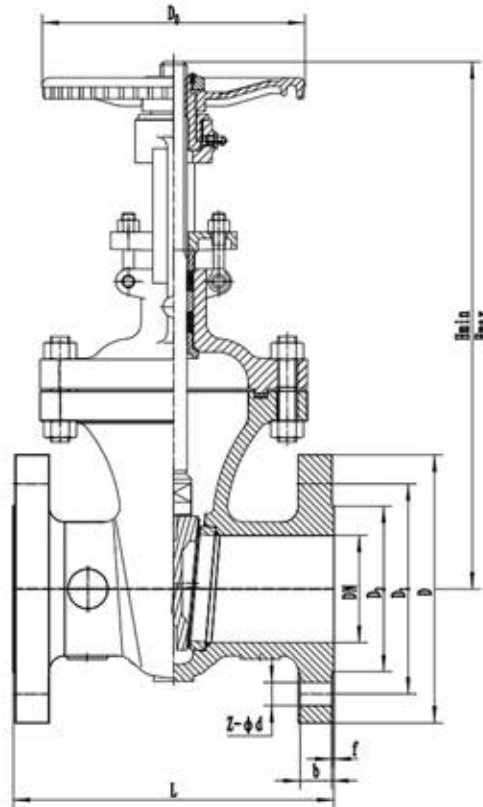


(Structure)

VALVE MATERIAL LIST

Part name	Material
Valve body, Bonnet	ASTM A216 WCB
Gate plate(300LB 2" ~ 4")	ASTM A217 CA15
Gate plate	ASTM A216 WCB
Stem	ASTM A276 410
Stem nut	ASTM B148 C95200
Packing	ASTM A276 304+Graphite
Medium-caliber gasket (metal spiral wound gasket)	ASTM A276 304+Graphite
Valve seat	ASTM A105
Upper seal seat	ASTM A276 410
Packing plate	ASTM A216 WCB
Packing sleeve	ASTM A276 410
Spacer ring	ASTM A276 410
Bolt	ASTM A193 B7
Swing bolt	ASTM A193 B7
Nut	ASTM A194 2H

TECHNICAL SPECIFICATIONS



Model	NPS	DN (mm)	Size(mm)								
			L	D	D ₁	D ₂	b-f	z-φ d	Hmax	Hmin	D ₀
Z41H-300LB	2"	51	216	165	127	92.1	20.7-2	8-φ 19	408	340	200
	2 1/2"	64	241	190	149.2	104.8	23.9-2	8-φ 22.5	460	386	200
	3"	77	282	210	168.3	127	27-2	8-φ 22.5	530	435	240
	4"	102	305	255	200	157.2	30.2-2	8-φ 22.5	619	502	280
	5"	127	381	280	235	186	33.4-2	8-φ 22.5	748	605	320
	6"	153	403	320	269.9	215.9	35-2	12-φ 22.5	826	660	360
	8"	204	419	380	330.2	269.9	39.7-2	12-φ 25.5	1038.5	807.5	400
	10"	254	457	445	387.4	323.8	46.1-2	16-φ 28.5	1247	972	450
	12"	305	502	520	450.8	381	49.3-2	16-φ 32	1436	1107	560